

Materials: Bent steel sheet structure with antirust protection and painted.
Inner reflector made of casted aluminium with paint finish.
Tempered glass diffuser.

Finishes:



Light grey

Medium grey

Dark grey

*The colors shown are merely indicative and may differ from reality. (Other colours available to order)

**See special finishes for marine environments

Sizes (cm):

Beacon 35 cm: 12 x 37

Beacon 80 cm: 12 x 81

Weights (kg):

Beacon 35 cm: 5.

Beacon 80 cm: 10.

Surface exposed to wind (m²):

Installation:

The element is completed with two types of anchoring, supplied separately: embedded and surface-mounted. Embedded fixation by means of a base, installed to a concrete cube with groove for wiring, sunk 10 cm below the pavement surface, and fixed with four stainless steel bolts. Surface fixation by means of a base with three steel anchor bolts sunk into holes previously drilled into the road surface, with groove for wiring, and filled with epoxy resin, quick-setting cement or similar. The light bollard is delivered mounted. Instructions, screws are included. Installation base separately.
(For further information log onto urbidermis.com)

Applicable standards: UNE-EN 60529, UNE-EN 60598, UNE-EN 55015, UNE-EN 61000, UNE-EN 50102, UNE-EN 62031 (fileE-505192).

Protections: IP55 (the entrance of dust and water allowed by the structure does not hinder the correct operation of the electronic components), IP66 (the electrical components are protected from dust ingress and high-pressure water jets), IK08 (protection against external mechanical impacts).

Electrical rating: Class I (CE)

Light source: High-efficiency optical unit with 4 or 8 LEDs.

Nominal lamp power (W):

4 LEDs: 1 x 5

8 LEDs: 2 x 5

System power (W):

4 LEDs: 1 x 6

8 LEDs: 2 x 6

Operating current (mA): 350

Color temperature (K[°]): 3000 CRI min80

Power supply: constant current driver.

Regulation:

1-10V / DALI / Header flux regulation / Programmable automatic regulation.

The LED luminaire may be regulated using a number of differing interfaces.

These controls allow specific, individual control of light, reducing energy consumption in a sustainable manner.

Constant light output (CLO)

Assures a constant lumen output from the luminaire throughout its lifetime.

Operating voltage: 220-240V 50-60Hz (CE)

Wire:

0,6/1 kV 3x2,5mm²

0,6/1 kV 5x1,5mm² (prog.)

Temperature operating range Ta (°C): between -25 and 30 (350mA)

Lifetime: TM21 L70 (10k) > 60.000 h

Thanks to an optimised thermal design, the luminous flux is maintained up to 70% after 60.000 h.

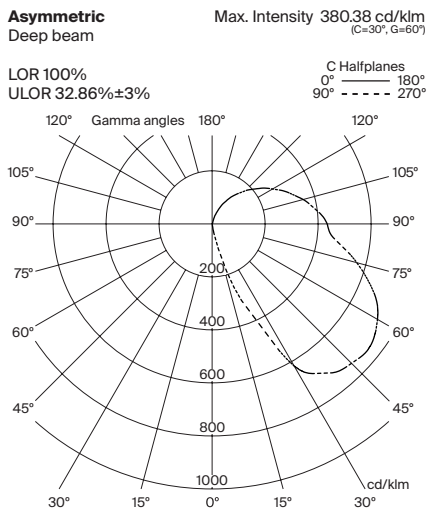
Light distributions:

Asymmetric: Deep beam

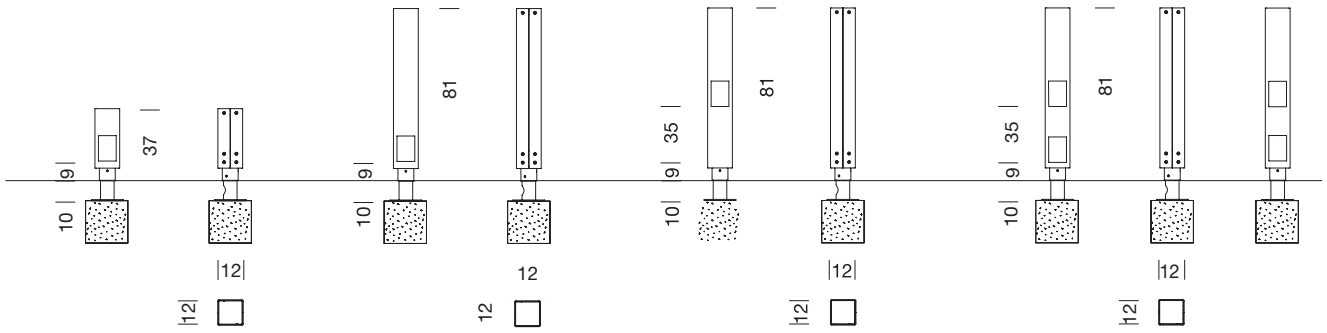
Upper Light Output Ratio (FHS%): 0.60 - 0.88

Configurations

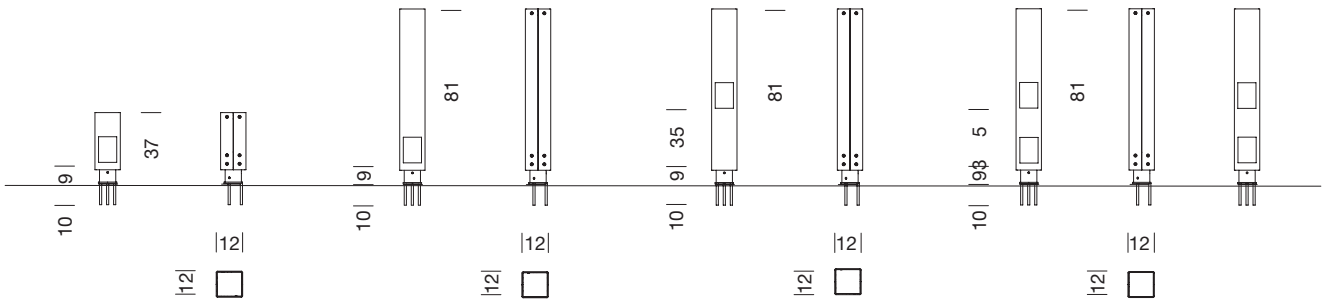
Reference	LED n°	T°color (K)	Current (mA)	Power lamp (W)	System power (W)	Deep beam	
						Luminous flux (lm)	Efficacy (lm/W)
SKA11	4	3000 IRC min 80	350	5	6	170	32
SKA21	4					170	32
SKA31	4					170	32
SKA41	2x4			7	2 x 4	340	64



*Recomendations: for calculation in ground type II (according to UNE-40) and wind speed of 29 m/s, with soil formed by loose or wet dirt or sand of medium compactness ($E_0 = 4800 \text{ KN/m}^2$), with HM-20 concrete. Non- binding information. We advise to carry out checks for each situation.



Skyline light bollard embedded low window 35 cm Skyline light bollard embedded low window 80 cm Skyline light bollard embedded middle window 80 cm Skyline light bollard embedded double window 80 cm



Skyline light bollard surface low window 35 cm Skyline light bollard surface low window 80 cm Skyline light bollard surface middle window 80 cm Skyline light bollard surface double window 80 cm

Sizes in cm