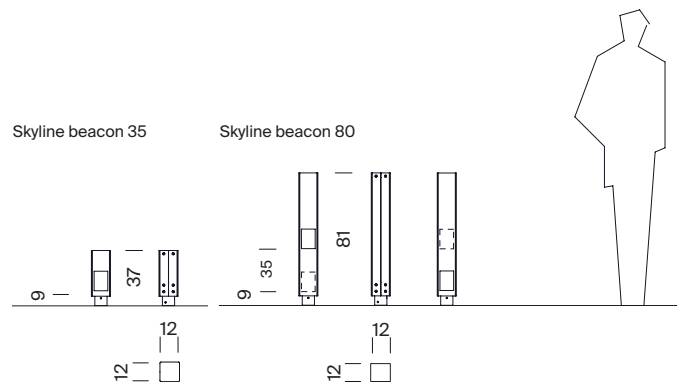


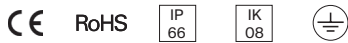
## Skyline Beacon

Joan Gaspar, Lluís Porqueras. 1992

SANTA & COLE  
urbidermis

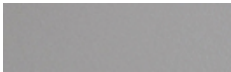


Sizes in cm



**Materials:** Powder-coated finish bent steel sheet structure with anti-rust protection. Powder-coated finish inner reflector made of casted aluminium.

**Finishes:**



Light grey (RAL 9006)  
(Other colours available to order)



Traffic white (RAL 9016)

**Size (cm):**

35 cm beacon: 12x37

80 cm beacon: 12x81

**Weights (Kg):**

35 cm beacon: 5

80 cm beacon: 10

**Installation:** Surface and built-in mounted installation using safety screws (included). The element is delivered assembled.

**Applicable standards:** UNE-EN 60529, UNE-EN 60598, UNE-EN 55015, UNE-EN 61000, UNE-EN 50102, UNE-EN 62031.

**Protections:** IP66 (protection from dust ingress and high-pressure water jets), suitable for wet locations, IK10 (protection against external mechanical impacts)

**Electrical rating:** Class I (CE)

**Light source:** High-efficiency optical unit with 4 LEDs

**Nominal lamp power (W):**

4 LEDs 1x5 / 2x5

**System power (W):**

4 LEDs 1x6 / 2x6

**Operating current (mA):** 350

**Colour temperature (K):** 3000 CRI min80

**Power supply:** constant current driver

**Regulation:**

1-10V / Dali / Header flux regulation / Programmable automatic regulation.

The LED luminaire may be regulated using a number of differing interfaces. These controls allow specific, individual control of light, reducing energy consumption in a sustainable manner.

Constant light output (CLO)

Assures a constant lumen output from the luminaire throughout its lifetime.

**Operating voltage:** 220-240V 50Hz (CE) / 120-277V 60Hz (UL)

**Wire:**

1 kV 3 x 2,5mm<sup>2</sup>

1 kV 6 x 1,5mm<sup>2</sup> (prog.)

**Temperature operating range Ta (°C):** between -25 and 30 (700mA)

**Lifetime:** TM21 L70 (10k) > 50.000 h

Thanks to an optimised thermal design, the luminous flux is maintained up to 70% after 50.000 h.

Under exceptional cases when the ambient temperature is excessive, the output may be reduced using the (NTC) active control system that ensures the right operating temperature is maintained.

**Light distributions:**

Asymmetric: Deep beam

**Upper Light Output Ratio (ULOR%):** 0.60-0.88

**Configurations**

Reference	N° LEDs	T° colour (K)	Current (mA)	Lamp power (W)	System power (W)	Area Beam	
						Luminaire luminous flux (lm)	Efficacy (lm/W)
SKA11	4	3000 CRI min 80	350		6		

**Asymmetric**  
Deep beam  
LOR 100%  
ULOR 0%±3%

Max. intensity. 639,22 cd/klm

For calculation in ground type II (according to UNE-40) and wind speed of 29 m/s, with soil formed by loose or wet dirt or sand of medium compactness ( $E_0 = 4800 \text{ KN/m}^2$ ), with HM-20 concrete. Non-binding information. We advise to carry out checks for each situation.