



Materials:

Cylindrical support legs and curved railing made of AISI 304 stainless steel.

Finishes:



Sandblasted

*The colors shown are merely indicative and may differ from reality. (Other colors available to order)

**See special finishes for marine environments

Weights (kg):

Module: 2

Support leg: 3.5

Installation and maintenance:

The support legs are embedded 10 cm below the ground and fixed with expansion anchors.

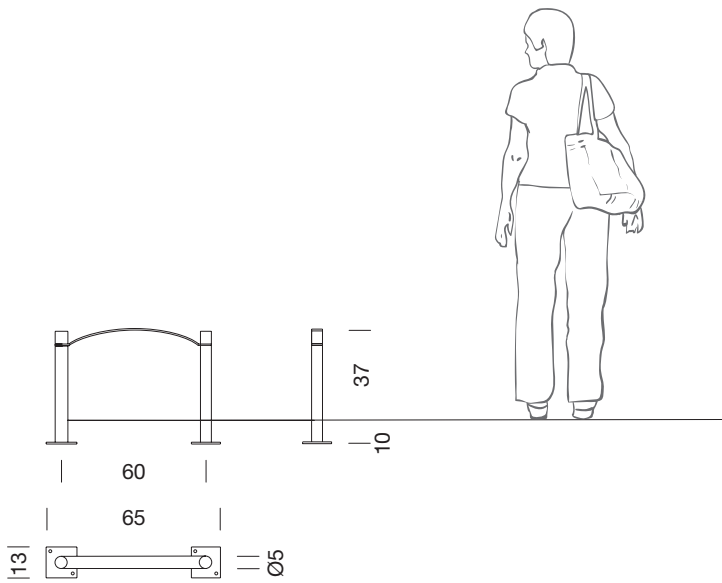
Delivered unassembled and packaged in two parts: support legs and railing.

Instructions, screws and anchor bolts are included.

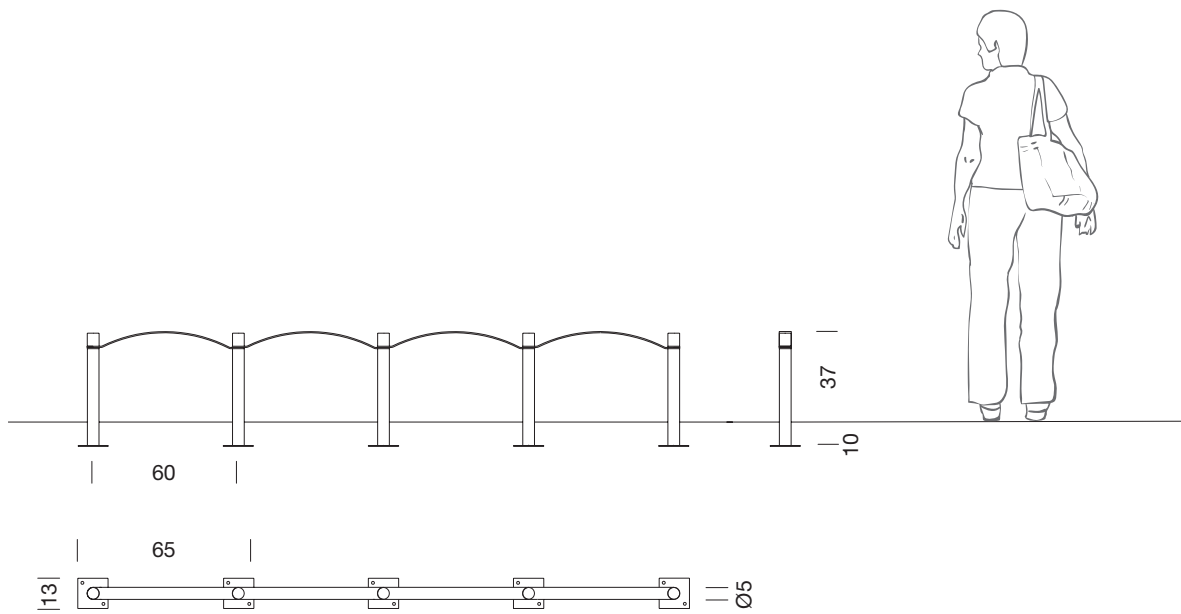
No functional maintenance is required.

(For further information log onto urbidermis.com)

Applicable standards: UNE-EN 13369, UNE-EN13198, UNE EN 771-3, UNE 7178, UNE 146507, EHE 08



Robert limit 1 module



Robert limit 4 modules

Sizes in cm