

Max Bill

Miguel Milá, 1964-2014

Hanging Lamp



reddot design award
winner 2013



An exponent of an era when industrial design was just becoming a discipline in Spain, this lamp is named after Swedish designer and artist Max Bill, a distinguished member of the jury that awarded him the Gold Delta Award in 1964, the highest of the Barcelona ADI-FAD awards.

Fifty years on, Santa & Cole is re-publishing it in an LED version adapted to fit the HEADLED capsule, which affords greater efficiency and light quality.

MAX BILL is available in five finishes: white, black, brass, polished aluminium and opal white and is further proof of the relevance and timelessness of Miguel Milá's designs.

GENERAL DESCRIPTION

Capsule with LED module, translucent white diffuser and heat sink with black matte finish.

5 lampshades options: polished brass, polished aluminium, black or white matte aluminium and opal white.

3 metallic circular ceiling plate options with a smooth matte finish and power supply incorporated: white recessed / white (CE market) or black surface-mounted.

Electric cable length (black): 3 m / 117" - 8 m / 314.9".

LIGHT SOURCE

4 Module LEDs

Power system: 3,7 W

Operating current: 350 mA

T^a Colour: 2.700 K

Typical CRI: 83

Lifetime: > 40.000 h

Luminous flux: 345 lm

Built-in LED.

Energy efficiency class (E.E.C): A⁺⁺... A.

Fixture suitable only for indoor use.

Always use this light source.

Input voltage: 108 ~ 264 VAC.

(50 Hz / 60 Hz) According to destination.



APROXIMATE WEIGHT (unpacked)

Weight with Brass lampshade: 1,35 kg / 2.98 lb

Weight with aluminium lampshade: 1 kg / 2.2 lb

REGULATIONS

CE



IP 20

UNE-EN 60598

UNE-EN 55015

UNE-EN 62031



UNE-EN 60529

UNE-EN 61000-3-2

MAINTENANCE

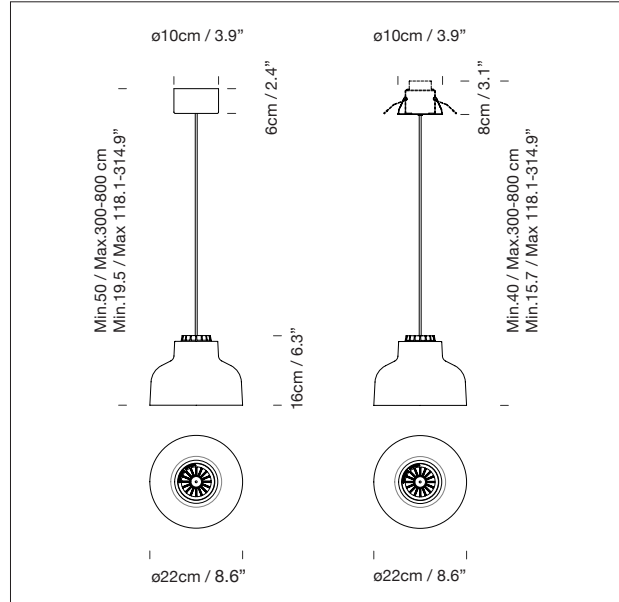
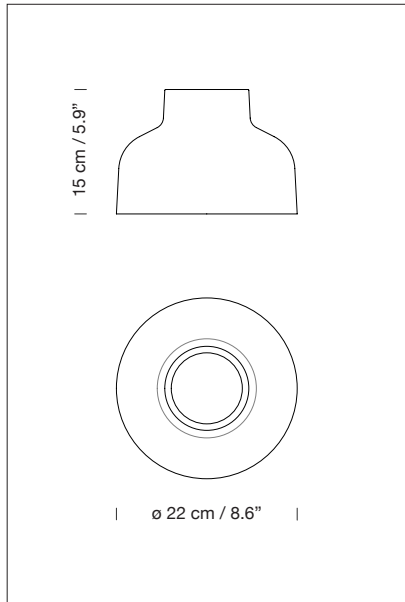
Clean with a smooth cloth. It is advised not to use any ammonia, solvent or abrasive products.

OTHERS

The lamp are delivered in different packets.

The assembly instructions are delivered with the product.

MODEL



Collection

Lampshades



HeadHat System