



Materials:

The support is made from one AISI 304 (optionally AISI 316) satin polished stainless steel plates and a Ø 84 x 2 mm or Ø 73 x 1.5 mm mirror polished stainless-steel tube rail.

Finishes:



Satin polished

Mirror polished

*The colors shown are merely indicative and may differ from reality. (Other colors available to order)

**See special finishes for marine environments

Weights (kg):

Initial module: 43.

Initial module with mid-level guard rail: 49.

Installation and maintenance:

The support structures are embedded 100 mm into the road surface and fixed with a 125 x 125 x 5 mm plate and expansion anchors.

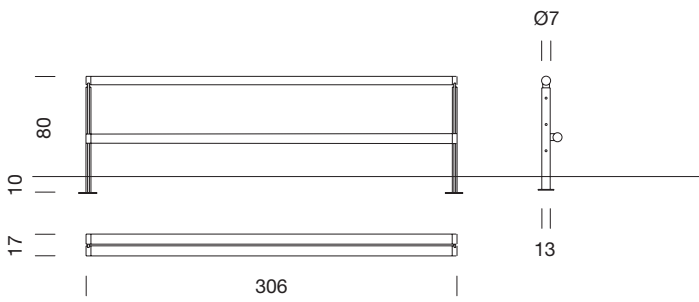
Delivered unassembled and packaged in two parts: support and tube.

Instructions, screws and anchor bolts are included.

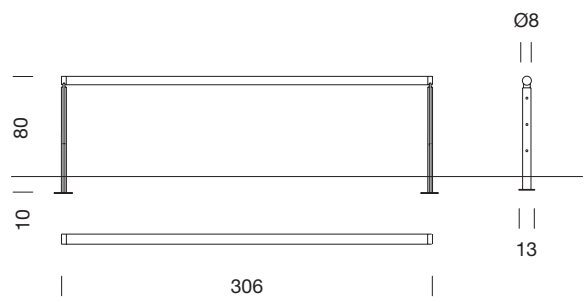
No functional maintenance is required.

(For further information log onto urbidermis.com)

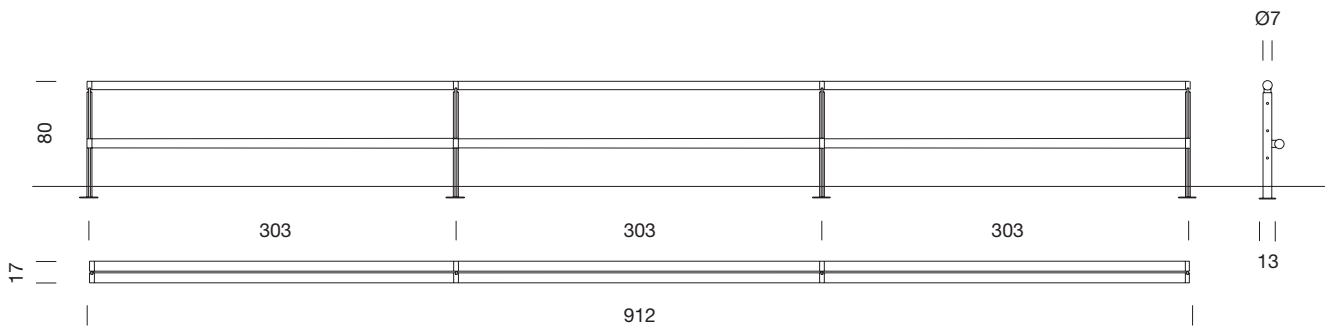
Applicable standards: UNE-EN 13369, UNE-EN13198, UNE EN 771-3, UNE 7178, UNE 146507, EHE 08



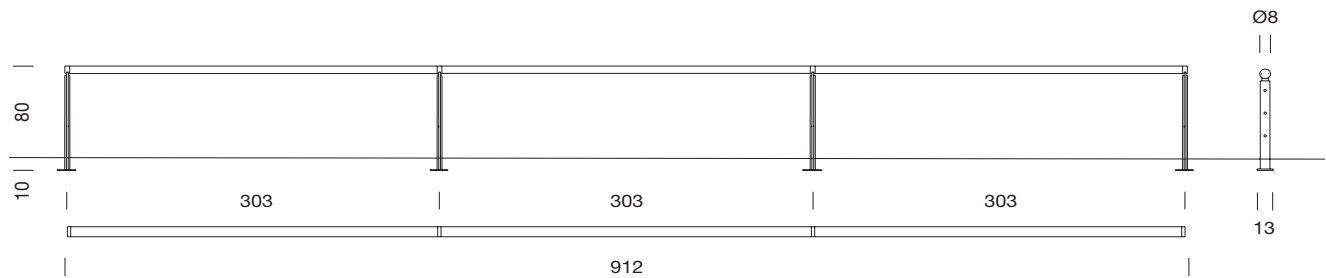
Línea handrail 1 unit with crossbeam



Línea handrail 1 unit



Línea handrail 3 units with crossbeam



Línea handrail 3 units

Sizes in cm