

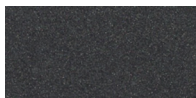
Sizes in cm



Materials:

Body and cover made of cast iron with anti-rust protection and paint finish. High resistance polyethylene diffuser with acid-etched interior finish.

Finish:



Oxiron

*The colors shown are merely indicative and may differ from reality. (Other colors available to order)

**See special finishes for marine environments

Sizes (cm):

31 x 81

Weight (kg):

34

Surface exposed to wind (m²): -

Installation:

The element is completed with two types of anchoring, supplied separately: embedded and surface-mounted.

Embedded fixation by means of a base, installed to a concrete cube with groove for wiring, sunk 10 cm below the pavement surface, and fixed with four stainless steel bolts. Surface fixation by means of a base with three steel anchor bolts sunk into holes previously drilled into the road surface, with groove for wiring, and filled with epoxy resin, quick-setting cement or similar.

The beacon is delivered mounted.

Instructions, screws are included. Installation base separately.

(For further information log onto urbidermis.com)

Applicable standards: UNE-EN 60529, UNE-EN 60598, UNE-EN 55015, UNE-EN 61000, UNE-EN 50102, UNE-EN 62031.

Protections: IP65 (protection from dust ingress and high-pressure water jets), Wet locations, IK08 (protection against external mechanical impacts).

Electrical rating: Class I (CE)

Light source: High-efficiency optical unit with 4 LEDs.

Nominal lamp power (W):

4 LEDs: 4

System power (W):

4 LEDs: 5

Operating current (mA): 350

Color temperature (K°): 3000 CRI min80

Power supply: constant current driver.

Regulation:

1-10V / DALI / Header flux regulation / Programmable automatic regulation.

The LED luminaire may be regulated using a number of differing interfaces.

These controls allow specific, individual control of light, reducing energy consumption in a sustainable manner.

Constant light output (CLO)

Assures a constant lumen output from the luminaire throughout its lifetime.

Power factor (cos φ):

LED n°	Current (mA)	P (W) 100%, CLO 80%
4	350	

Operating voltage: 220-240V 50-60Hz (CE)

Wire:

0,6/1 kV 3x2,5mm²

0,6/1 kV 5x1,5mm² (prog.)

Temperature operating range Ta (°C): between -25 and 30 (350mA)

Lifetime: TM21 L70 (10k) > 60.000 h

Thanks to an optimised thermal design, the luminous flux is maintained up to 70% after 60.000 h.

Light distributions:

Asymmetric: Ground washer. Area beam

Upper Light Output Ratio (FHS%): 0.60 - 0.88

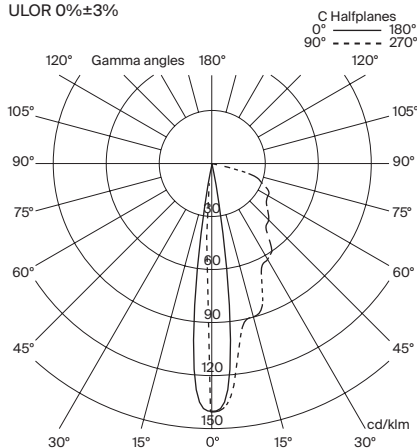
Configurations

Reference	LED n°	T°color (K)	Current (mA)	Power lamp (W)	System power (W)	Luminous flux (lm)	Efficacy (lm/W)
FPL22	4	3000 IRC min 80	350	4	5		

Area beam

Asymmetric
Area beam
Max. Intensity 142.80 cd/klm
(C=30°, G=60°)

LOR 100%
ULOR 0%±3%



*Recomendations: for calculation in ground type II (according to UNE-40) and wind speed of 29 m/s, with soil formed by loose or wet dirt or sand of medium compactness ($E_0 = 4800 \text{ KN/m}^2$), with HM-20 concrete. Non- binding information. We advise to carry out checks for each situation.