

## Atlántida Drinking fountain

Enric Batlle i Durany, Joan Roig i Duran. 1991

SANTA & COLE  
urbidermis



**Code:** ATF

**Materials:** Cast iron monolith protected with cataphoresis process (anti-rust protection) and painted dark grey. The cast iron nodular grid, painted dark grey, is supported on a hot-dip galvanised steel frame. One-inch polished brass spout. Optional anti-freeze valve.

**Colors:** Dark grey (RAL 7024)

**Weight (kg):** 122

**Installation:** The fountain is embedded 10 cm into the ground using four corrugated rods. Includes a pressure regulator and timer flow control to optimise and save water.

The grid rests on the metal frame which is levelled with the ground and is the same size as the water collection manhole.

**Maintenance:** No maintenance required except standard cleaning of the button and interior.

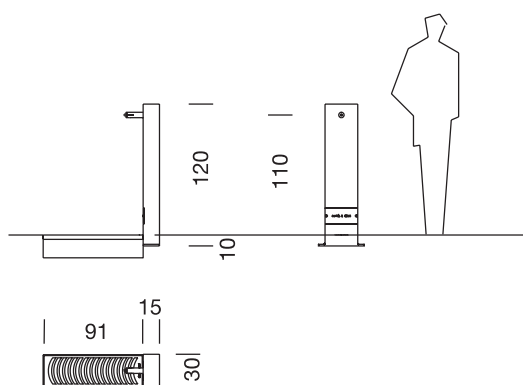
Delivered in two parts: the monolith and spout, and the required amount of grids and frames.

Assembly instructions and anchor bolts are included with the monolith.

If temperatures may drop below 0°C, turn off the water supply and drain the circuit to prevent freezing and breakage.

(For further information about this product, log onto the website [urbidermis.com](http://urbidermis.com))

**Applicable standards:** UNE-EN 13369, UNE-EN13198, UNE EN 771-3, UNE 7178, UNE 146507, EHE 08



Sizes in cm