

Trapezio UHPC Bench

Antonio Montes, Montserrat Periel. 2017



Code: TRB

Materials: The bench comprises two UHPC blocks, a material with very good structural performance and durability. Both beams are 4.50 m long with a section of approximately 20 x 40 cm, and are mass coloured in earth, white or grey tones, with waterproof exposed aggregate finish. Various finishes and colours possible, depending on the quantity ordered. The two blocks are fixed to the supports with hot-dip galvanised steel joining profiles with painted finish, using steel screws with anti-rust protection.

Slats:

Earth UHPC. Water repellent
White UHPC. Water repellent
Gray UHPC. Water repellent

Structure:

Galvanised steel. Painted RAL 9006

Weight:

700 Kg.

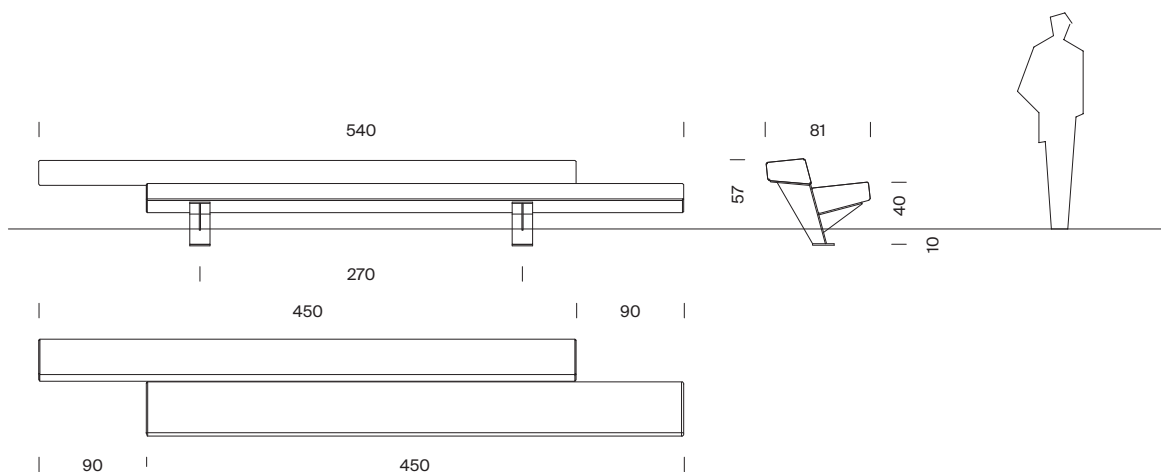
Installation: The bench is fixed using a concrete cube and stud anchor, 10 cm below the pavement surface.

The bench is delivered dismantled with assembly instructions. The screws and stud anchor are delivered with the supports.

Maintenance: Because of the properties of the material, no functional maintenance is required.

(For further information about this product, log onto the website www.santacole.com)

Applicable standards: UNE-EN 13369, UNE-EN 13198, UNE-EN 13369, UNE-EN 12390-3, UNE-EN 12504-1



Dimensions in cm