

TRÍPODE

Floor and Table Fixture

1997, 2002 and 2011

GENERAL DESCRIPTION:

The bundle of three metal tubes joined like a set of Chinese chopsticks which holds up, without the need for a base, a generous ribbon shade and which created a small revolution in Santa & Cole '92s catalogue, celebrated its fifteenth anniversary in 2010. We are now presenting its new younger sister, a family of lamps designed to create warm atmospheres, to awaken feelings and to brighten up monochromatic spaces.

APROXIMATE WEIGHT (unpacked):

(1.) TRÍPODE G5 floor fixture	5kg / 11lb
(2.) TRÍPODE G6 table fixture	4kg / 8,2 lb
(3.) TRÍPODE M3 table fixture	3,5kg / 7,2 lb

TECHNICAL CHARACTERISTICS:

Bulbholder: E26 / E27

Light Source:

(1.) Adjustable self-ballasted compact fluorescent
TC-HSE. 18-20W/827 EEC: A. Max. hgt. 160 mm / 6.3"

(2.) Adjustable self-ballasted compact fluorescent
TC-HSE. 18-20W/827 EEC: A. Max. hgt. 130 mm / 5.1"

(3.) Bulbholder: E12 / E14

Light Source:

Self-ballasted micro globe compact fluorescent
TCG-SE. 7-11W/825 EEC: A. Max. hgt. 85 mm / 3.3"

EUROPE	AC	230V	50 Hz
USA/JAPAN	AC	110/128V	60 Hz

(2 y 3) Dimmer included.

Light source not included.

Luminaries only suitable for indoor use.

Always use the light source recommended or equivalent.

The luminaries comply with the following regulations:

UNE-EN 60598

UNE-EN 55015

STRUCTURE:

Black metal structure.

(1.,3.) Metal top cover in black.

LAMPSHADES:

Natural, red-amber or black ribbon lampshade.

MAINTENANCE:

Clean with a smooth cloth. Do not to use ammonia products, solvents, abrasives, etc.

OTHERS:

Luminaries are delivered in different packets.

The assembly instructions are delivered with the product.

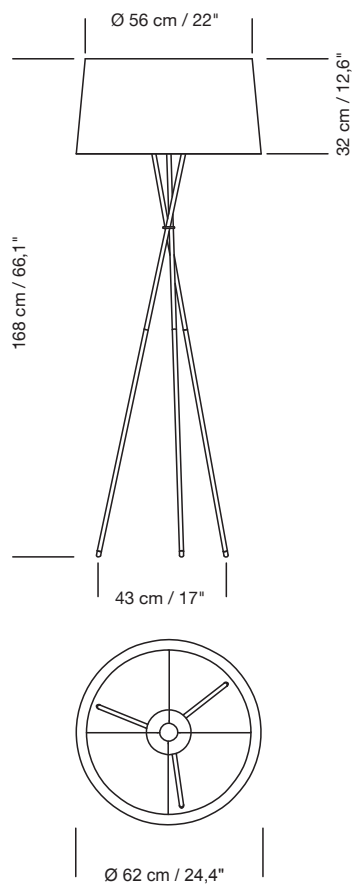


(1.,2.,3.) TRÍPODE G5 floor fixture, TRÍPODE G6 table fixture, TRÍPODE M3 table fixture.

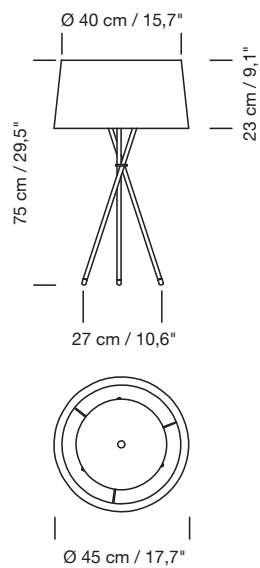
IP 20   



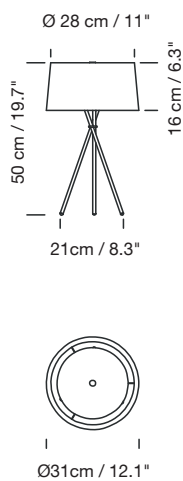
TRÍPODE



(1.) TRÍPODE G5 floor fixture



(2.) TRÍPODE G6 table fixture



(3.) TRÍPODE M3 table fixture