

TRÍPODE

Floor and Table Fixture

1997, 2002 and 2011

GENERAL DESCRIPTION:

The bundle of three metal tubes joined like a set of Chinese chopsticks which holds up, without the need for a base, a generous ribbon shade and which created a small revolution in Santa & Cole '92s catalogue, celebrated its fifteenth anniversary in 2010. We are now presenting its new younger sister, a family of lamps designed to create warm atmospheres, to awaken feelings and to brighten up monochromatic spaces.

APROXIMATE WEIGHT (unpacked):

(1) TRÍPODE G5 floor fixture	5kg / 11lb
(2) TRÍPODE G6 table fixture	4kg / 8.8 lb
(3) TRÍPODE M3 table fixture	3,5kg / 7.7 lb

TECHNICAL CHARACTERISTICS:

Bulbholder: E27 / E26

Light Source:

(1)

LED (adjustable): 17-75W/827. EEC: A.

Compact fluorescent (adjustable): 20W. EEC: A.

Incandescent: 100W.

Max. hgt. 160 mm / 6.3"

(2)

LED (adjustable): 17-75W/827. EEC: A.

Compact fluorescent (adjustable): 20W. EEC: A.

Incandescent: 100W.

Max. hgt. 130 mm / 5.12"

Bulbholder:

E14 / E12

Light Source:

(3)

Compact fluorescent: 11W. EEC: A.

Incandescent: 40W.

Max. hgt. 85 mm / 3.35"

EUROPE (Voltage)

230Vac 50 Hz

USA / CANADA (Voltage)

120Vac 60 Hz

JAPAN (Voltage)

100Vac 60 Hz

(1 and 2) Dimmer included.

(3) Switch on-off included.

Light source not included.

Fixture only suitable for indoor use.

Always use the light source recommended or equivalent.

STRUCTURE:

Black metal structure.

(1,3) Metal top cover in black.

LAMPSHADES:

Natural, red-amber or black ribbon lampshade or Terracotta, Mustard or Green Raw Color ribbon.

MAINTENANCE:

Clean with a smooth cloth. Do not to use ammonia products, solvents, abrasives, etc.

OTHERS:

The electric wire lenght is: 4m / 157.5"

The fixture are delivered in different packets.

The assembly instructions are delivered with the product.



(1) TRÍPODE G5, (2) TRÍPODE G6 and (3.) TRÍPODE M3.



(3) TRÍPODE M3 with Natural ribbon, Red-amber ribbon and Black ribbon.



(1) TRÍPODE G5 with Mustard Raw Color ribbon, (2) TRÍPODE G6 with Terracota Raw Color ribbon and (GT7) Green Raw Color ribbon.

Regulations

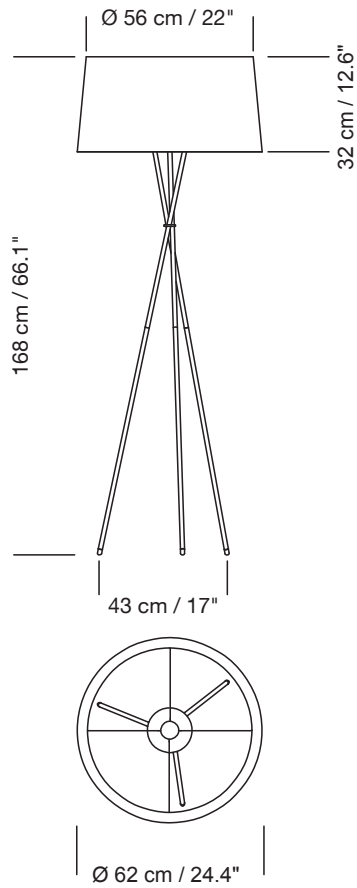


IP 20 UNE-EN 60598 ; UNE-EN 55015 ; UNE-EN 60529

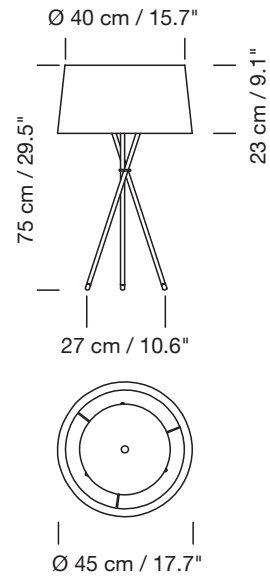


No Class 2 Dry location only UL 1598 E-352592

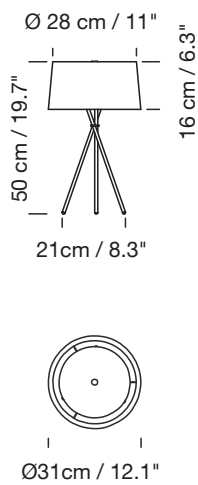
TRÍPODE



(1) TRÍPODE G5 floor fixture



(2) TRÍPODE G6 table fixture



(3) TRÍPODE M3 table fixture