

Sizes in cm



Code: single: Single bracket SPL01 / Single retrofit bracket SPL04/ Double retrofit bracket SPL05.

Accessory allowing one or two luminaires to be affixed at the same height to a multiple pole sizes.

Materials: aluminium injection attachment bracket. Powder-coated finished.

Stainless steel screws.

Colours: light grey (RAL 9006).

(other colours available to order)

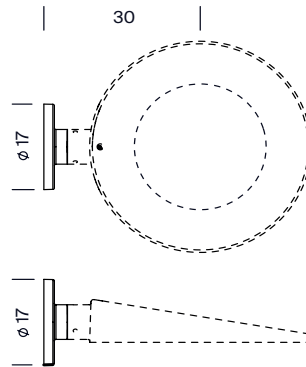
Sizes (cm): Ø 7 x 11 / Ø 7 x 18 / Ø 7 x 21

Weight (kg): 0,3 / 0,4 / 0,5

Installation: Pole attachment with a fastening accessory. The component is delivered disassembled. The component can be combined with the Slope luminaire. Suitable to different pole diameters.

(For further information about Slope luminaire, log onto the website urbidermis.com).

*Luminaire not included



Sizes in cm



Code: single: Wall attachment SPL02

Accessory allowing one luminaire to be wall affixed.

Materials: Powder-coated finish aluminium injection rosette. Affixing via fastening expandable anchors (not included).

Stainless steel screws..

Colore: Light grey (RAL 9006).
(Other colours available to order)

Sizes (cm): Ø 17 x 60

Weight (kg): 0,5

Installation: Suitable for wall attachment by means of a fastening accessory. The component is delivered disassembled.

The component can be combined with the Slope luminaire.

(for further information about Slope luminaire, log onto the website urbidermis.com).

*Luminaire not included