

Sizes in cm



(with Slope luminaire)

Code: single: Single bracket SPL01 / Single retrofit bracket SPL04/ Double retrofit bracket SPL05.

Accessory allowing one or two luminaires to be affixed at the same height to a multiple pole sizes.

Materials: aluminium injection attachment bracket. Powder-coated finished.

Stainless steel screws.

Colours: light grey (RAL 9006). Also available in black (RAL 9004).

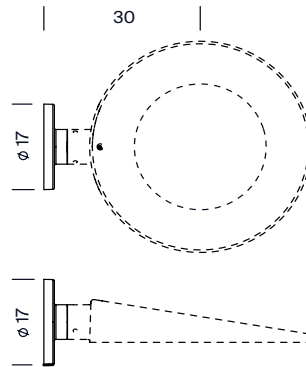
(other colours available to order)

Sizes (cm): Ø 7 x 11 / Ø 7 x 18 / Ø 7 x 21

Weight (kg): 0,3 / 0,4 / 0,5

Installation: Pole attachment with a fastening accessory. The component is delivered disassembled. The component can be combined with the Slope luminaire (for further information about Slope luminaire, log onto the website urbidermis.com).

*Luminaire not included



Sizes in cm



Code: single: SPL02

Accessory allowing one luminaire to be wall affixed.

Materials: Powder-coated finish aluminium injection rosette. Affixing via fastening expandable anchors.

Stainless steel screws..

Colore: Light grey (RAL 9006). Also available in black (RAL 9004).

(Other colours available to order)

Sizes (cm): Ø 17 x 60

Weight (kg): 0,5

Installation: Suitable for wall attachment by means of a fastening accessory. The component is delivered disassembled.

The component can be combined with the Slope luminaire.

(for further information about Slope luminaire, log onto the website urbidermis.com).

*Luminaire not included