

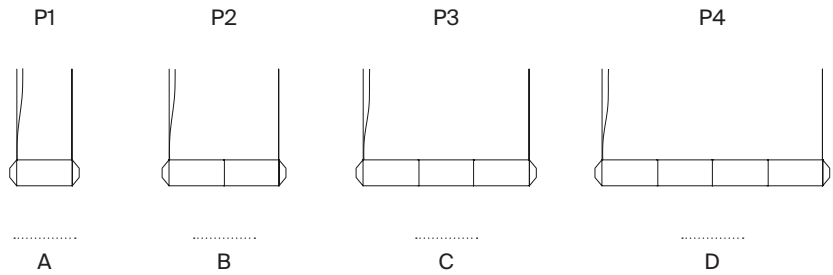
Tekiò Horizontal

Anthony Dickens. 2017

Pendant lamps



SANTA & COLE



Canopies:



Circular



Rectangular



Tekiò Horizontal is an elegant solution for dressing a flat surface, such as a table, or for drawing luminous paths across large open spaces. Configurable from one to four modules, it becomes a versatile ally for all kinds of uses. Its adaptable light source also allows you to create the perfect atmosphere for any occasion.

General description:

Washi Japanese paper shade.

Metal structure.

2 options of white grey metal canopy with power supply incorporated: circular or rectangular.

Electric cable length: 5 m / 196.8"

Approximate weight (unpacked):

(A) Tekiò Horizontal P1: 3 kg / 6.6 lb

(B) Tekiò Horizontal P2: 4,5 kg / 9.9 lb

(C) Tekiò Horizontal P3: 6 kg / 13.2 lb

(D) Tekiò Horizontal P4: 7,5 kg / 16.5 lb

Tekiò Horizontal

Anthony Dickens. 2017
Pendant lamps

Technical information:

Dimmable light source included
LED Module

(A)

Rated input wattage: 36,1 W
Luminous flux: 1.251 lm

(B)

Rated input wattage: 65,4 W
Luminous flux: 2.190 lm

(C)

Rated input wattage: 95,3 W
Luminous flux: 3.128 lm

(D)

Rated input wattage: 102,7 W
Luminous flux: 4.067 lm

(A, B, C, D)

Operating voltage: 24VDC
CCT: 2.200 K - 2.700 K
CRI: 90
Lifetime: 40.000 h

European version: suitable for dimming 1-10V / DALI / CASAMBI.

Not included external dimmer switch.

American version: suitable for dimming 0-10V. Not included external dimmer switch 0-10V.

Dim to Warm control 2200K – 2700K

Suitable only for indoor use.

Always use this light source.

Input voltage: 100 ~ 277 Vac.

(50 Hz / 60 Hz). According to destination.

Regulations:

European version

UNE-EN 60598

UNE-EN 55015

UNE-EN 60529

American version

Dry location only

UL-1598

UL-8750

E-336377

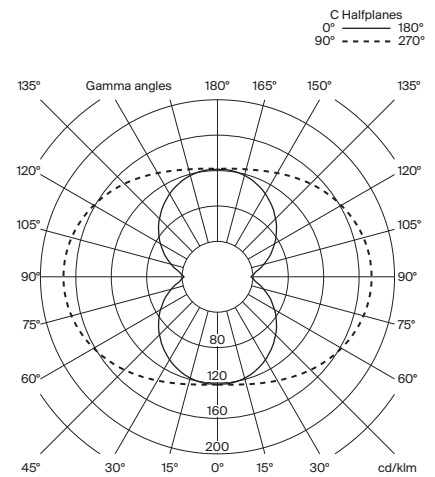
Maintenance:

Clean with a smooth cloth. Do not use ammonia, solvents or abrasive cleaning products. Do not expose to oil vapors or fats.

Others:

The lamp is delivered in different packages.

The assembly instructions are delivered with the product.



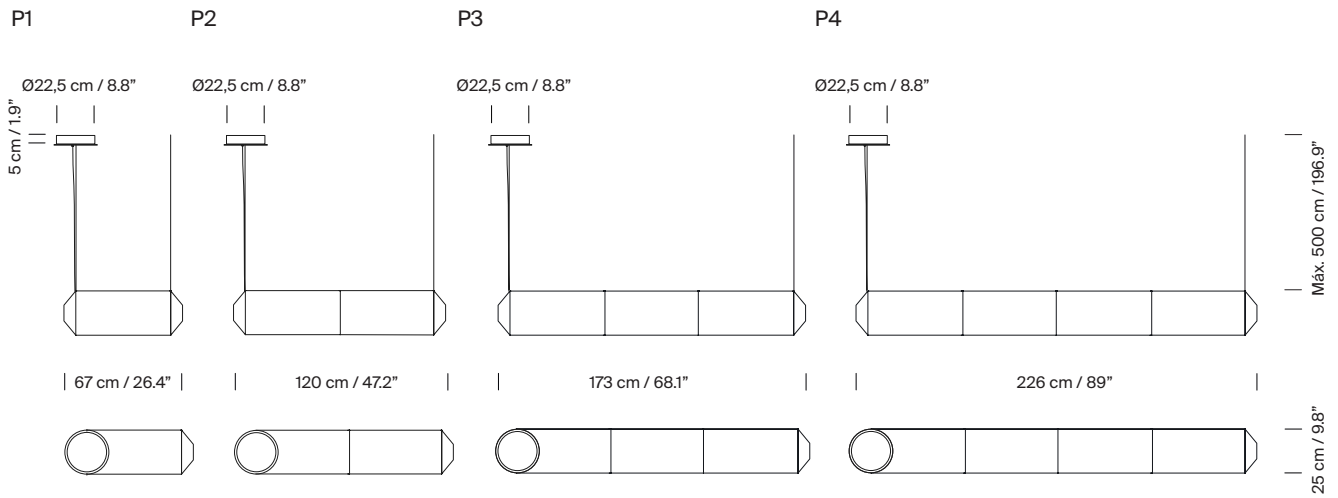
Tekiò Horizontal

Anthony Dickens. 2017
Pendant lamps

 SANTA & COLE

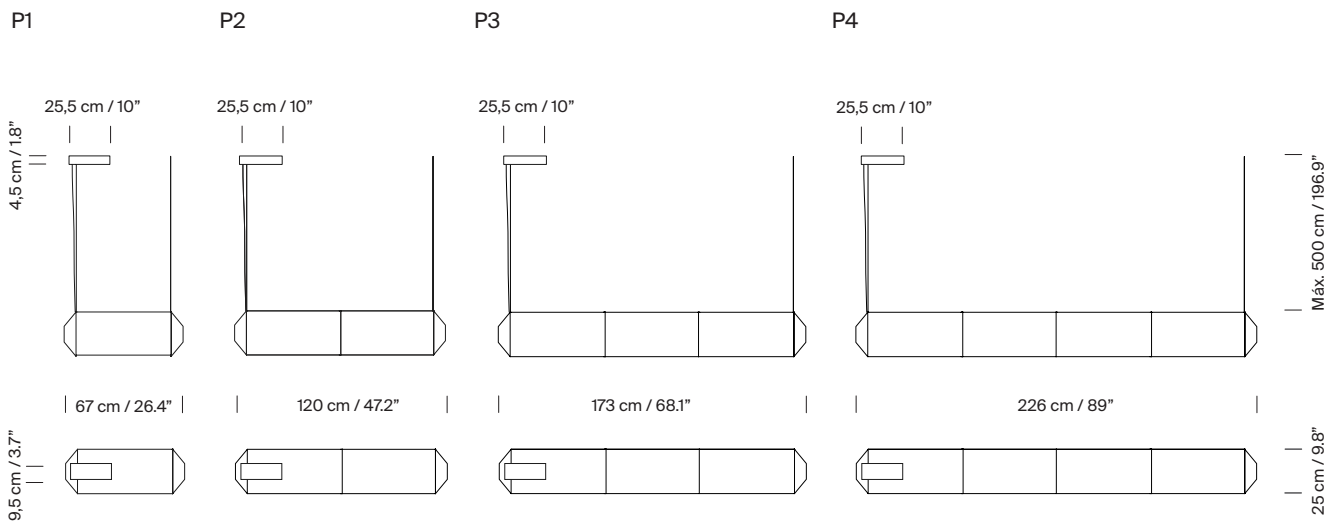


Models: Tekiò Horizontal / Circular canopy (European Version)



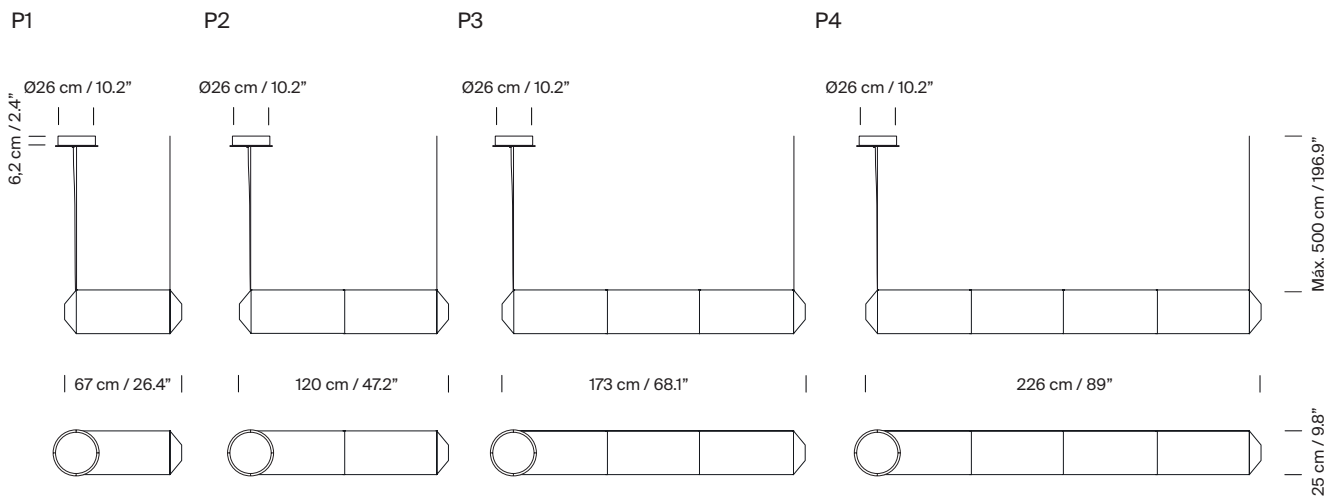
Code P1	Code P2	Code P3	Code P4	Dimming
TKHPA01	TKHPB01	TKHPC01	TKHPD01	1-10 V
TKHPA01D	TKHPB01D	TKHPC01D	TKHPD01D	DALI
TKHPA01C	TKHPB01C	TKHPC01C	TKHPD01C	CASAMBI

Models: Tekiò Horizontal / Rectangular canopy (European Version)



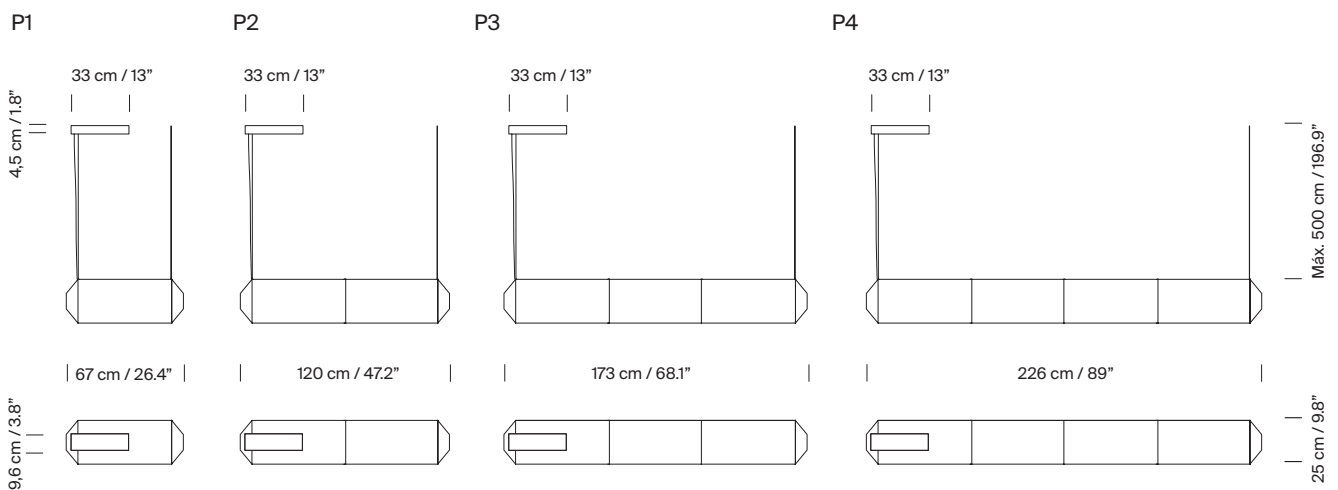
Code P1	Code P2	Code P3	Code P4	Dimming
TKHPA02	TKHPB02	TKHPC02	TKHPD02	1-10 V
TKHPA02D	TKHPB02D	TKHPC02D	TKHPD02D	DALI
TKHPA02C	TKHPB02C	TKHPC02C	TKHPD02C	CASAMBI

Models: Tekiò Horizontal / Circular canopy (American Version)



Code P1	Code P2	Code P3	Code P4	Dimming
TKHPA01UL	TKHPB01UL	TKHPC01UL	TKHPD01UL	0-10 V

Models: Tekiò Horizontal / Rectangular canopy (American Version)



Code P1	Code P2	Code P3	Code P4	Dimming
TKHPA02UL	TKHPB02UL	TKHPC02UL	TKHPD02UL	0-10 V

Tekiò Horizontal

Anthony Dickens. 2017
Pendant lamps

Collection: Pendant lamps



Tekiò Vertical



Tekiò Horizontal



Tekiò Circular