

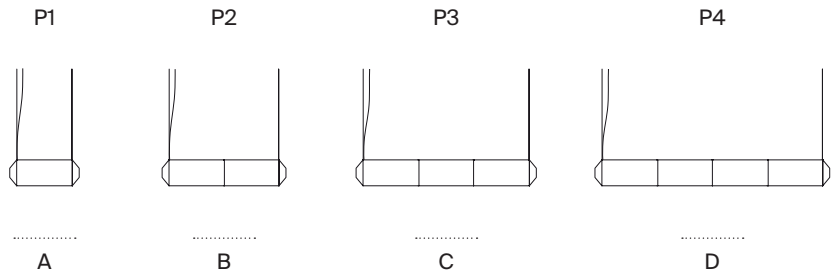
# Tekiò Horizontal

Anthony Dickens. 2017

Pendant lamps



SANTA & COLE



Canopies:



Circular



Rectangular



Tekiò Horizontal is an elegant solution for dressing up a flat surface, such as a table, or for drawing pathways and large open spaces. Its adaptable light source makes it possible to generate the right ambience for every situation. Configurable from one to four modules, it becomes an ally for all uses.

## General description:

Washi Japanese paper shade.

Metal structure.

2 options of white grey metal canopy with power supply incorporated: circular or rectangular.

Electric cable length: 5 m / 196.8"

## Approximate weight (unpacked):

(A) Tekiò Horizontal P1: 3 Kg / 6.6 lb

(B) Tekiò Horizontal P2: 4,5 Kg / 9.9 lb

(C) Tekiò Horizontal P3: 6 Kg / 13.2 lb

(D) Tekiò Horizontal P4: 7,5 Kg / 16.5 lb

(50 Hz / 60 Hz). According to destination.

## Tekiò Horizontal

Anthony Dickens. 2017  
Pendant lamps

### Technical information:

Light source included (dimmable)

#### (A) LED module

Rated input wattage: 43 W (European version) / 34 W (American version)  
Luminous flux: 1.251 lm (European version) / 964 lm (American version)

#### (B) LED module

Rated input wattage: 73 W (European version) / 56 W (American version)  
Luminous flux: 2.190 lm (European version) / 1.687 lm (American version)

#### (C) LED module

Rated input wattage: 100 W (European version) / 73 W (American version)  
Luminous flux: 3.128 lm / 2.315 lm (American version)

#### (D) LED module

Rated input wattage: 120 W (European version) / 87 W (American version)  
Luminous flux: 4.067 lm (European version) / 3.051 lm (American version)

#### (A, B, C, D)

Operating voltage: 24VDC

CCT: 2.200K - 2.700K

CRI: 90

Lifetime: 40.000 h

#### Built-in LED

European version: suitable for dimming 1-10V / DALI. Not included external dimmer switch 1-10V / DALI.

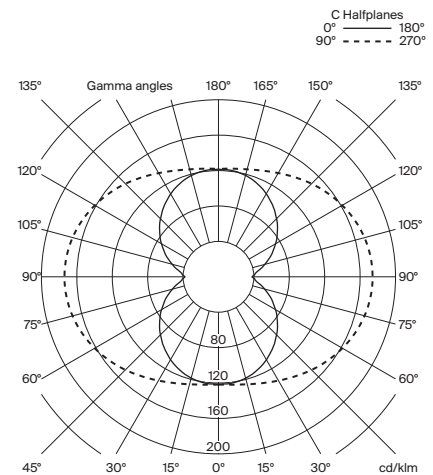
American version: suitable for dimming 0-10V. Not included external dimmer switch 0-10V.

Dim to Warm control 2200K - 2700K.

Suitable only for indoor use.

Always use this light source.

Input voltage: 100 ~ 277 Vac.



### Regulations:

European version

UNE-EN 60598

UNE-EN 55015

UNE-EN 60529

American version

Dry location only

UL-1598

UL-8750

E-336377

### Maintenance:

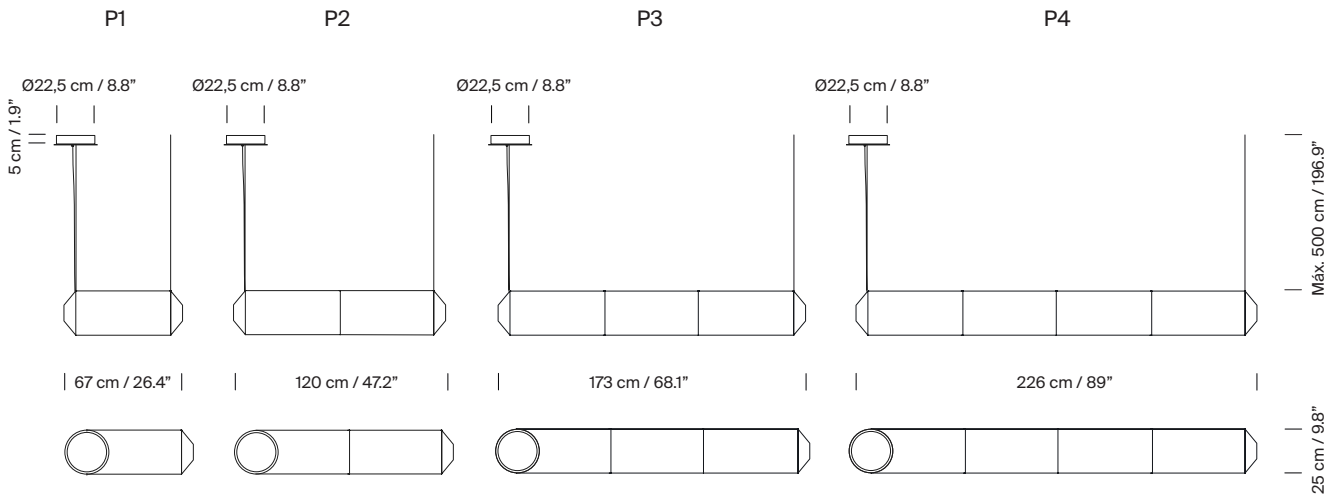
Clean with a smooth cloth. Do not use ammonia, solvents or abrasive cleaning products. Do not expose to oil vapors or fats.

### Others:

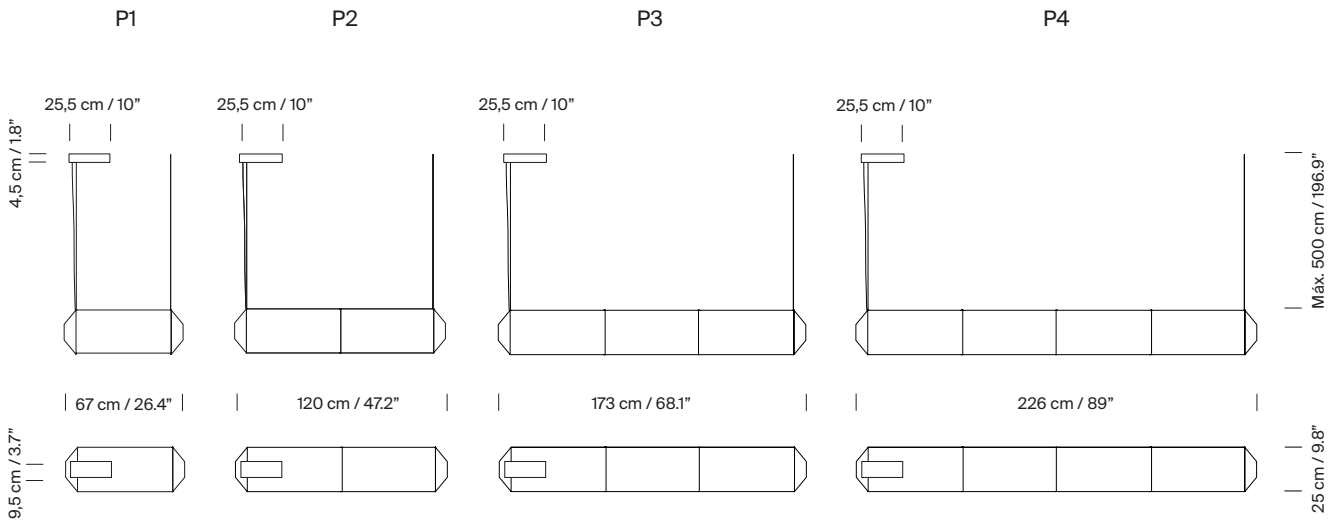
The lamp is delivered in different packages.

The assembly instructions are delivered with the product.

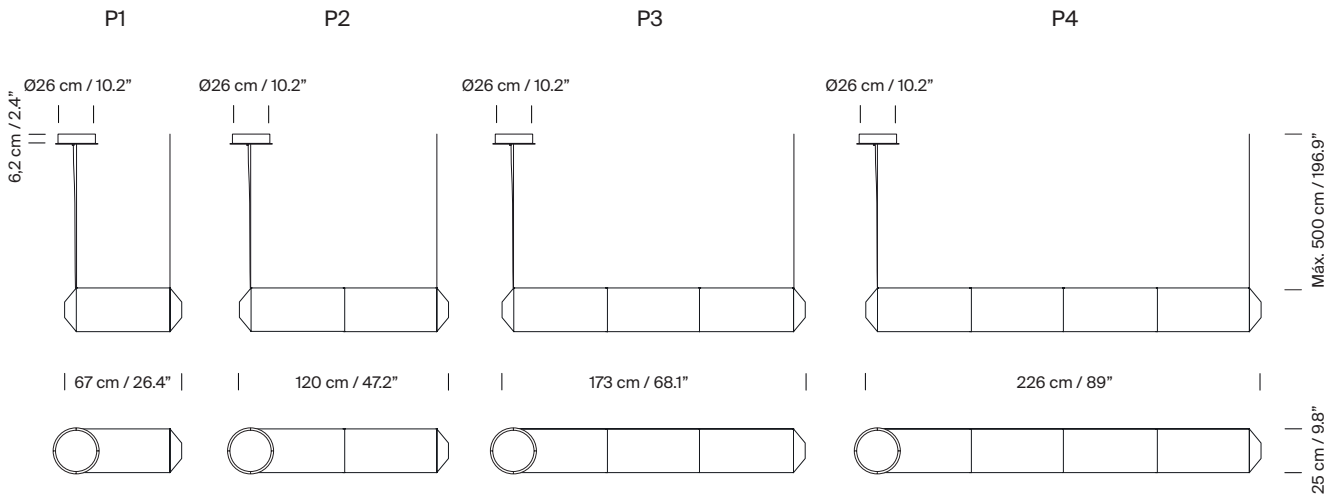
**Models:** Tekiò Horizontal / Circular canopy (European version)



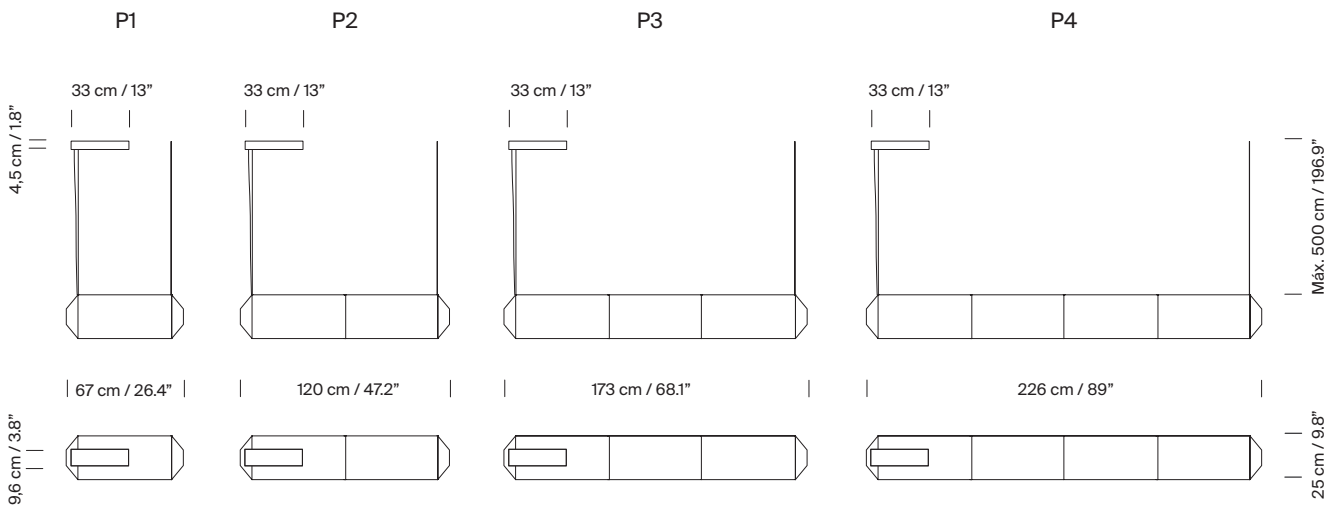
**Models:** Tekiò Horizontal / Rectangular canopy (European version)



**Models:** Tekiò Horizontal / Circular canopy (American version)



**Models:** Tekiò Horizontal / Rectangular canopy (American version)



**Collection:**  
 Pendant lamps



Tekiò Vertical



Tekiò Horizontal



Tekiò Circular