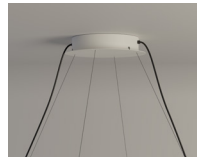


Tekiò Circular

Anthony Dickens. 2017
Pendant lamps



Canopies



Circular



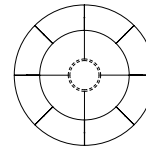
Rectangular

Tekiò Circular P4



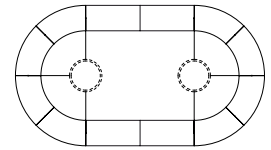
A

Tekiò Circular P8



B

Tekiò Oval P12



C



Be it the small circle, the medium circle or the large oval, the lamp dressed in Washi paper diffuses an excellent light in any setting. Absorbing yet righteous personality, a subtle and rich elegance.

General description:

Washi Japanese paper shade.

Metal structure.

(A) Ø 69 cm / 27.2" for 4 lampshades.

(B) Ø 140 cm / 55.1" for 8 lampshades.

(C) Ø 245 cm x 140 cm / 96.5" x 55.1" for 12 lampshades.

2 options of white grey metallic canopy with power supply incorporated:

Circular canopy Ø 29 cm / 11.4"

Rectangular (B / C models) 330 x 96 x 45 cm.

Electric cable length: 5 m / 196.8"

Approximate weight (unpacked):

(A) Tekiò Circular P4: 5,5 kg / 12.1 lb

(B) Tekiò Circular P8: 15 kg / 33.1 lb

(C) Tekiò Oval P12: 20 kg / 44.1 lb

Tekiò Circular

Anthony Dickens. 2017
Pendant lamps

Technical information:

Dimmable light source included
LED module

(A)

Rated input wattage: 77,3 W
Luminous flux: 3.050 lm

(B)

Rated input wattage: 199,4 W
Luminous flux: 8.084 lm

(C)

Rated input wattage: 199,4 W
Luminous flux: 13.091 lm

(A, B, C)

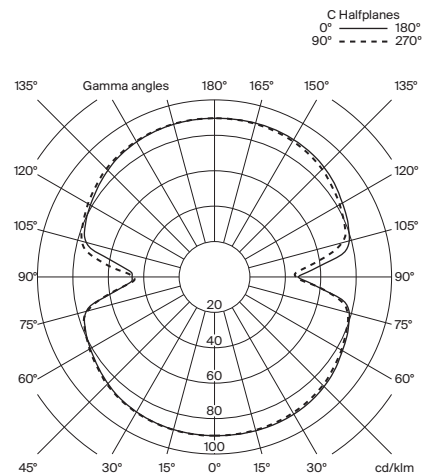
Operating voltage: 24 VDC
CCT: 2.200 K - 2.700 K
CRI: 90
Lifetime: 40.000 h

European version: suitable for dimming 1-10V / DALI / CASAMBI. Not included external dimmer switch.
American version: suitable for dimming 0-10V. Not included external dimmer switch 0-10V.
Dim to Warm control 2200 K- 2700 K

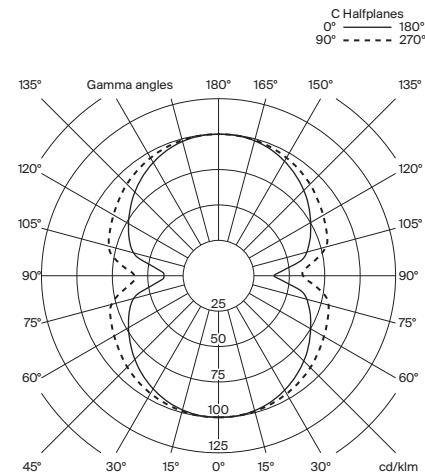
Suitable only for indoor use.
Always use this light source.

Input voltage: 100 ~ 277 Vac.
(50 Hz / 60 Hz). According to destination.

Model A/B: Tekiò Circular



Model C: Tekiò Oval P12



Regulations:

European version
UNE-EN 60598
UNE-EN 55015
UNE-EN 60529

American version

Dry location only
UL-1598
UL-8750
E-336377

Maintenance:

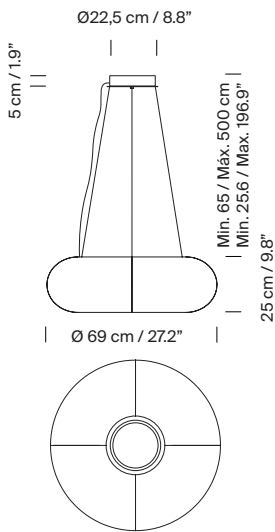
Clean with a smooth cloth. Do not use ammonia, solvents or abrasive cleaning products.

Others:

The lamp is delivered in different packages.
The assembly instructions are delivered with the product.

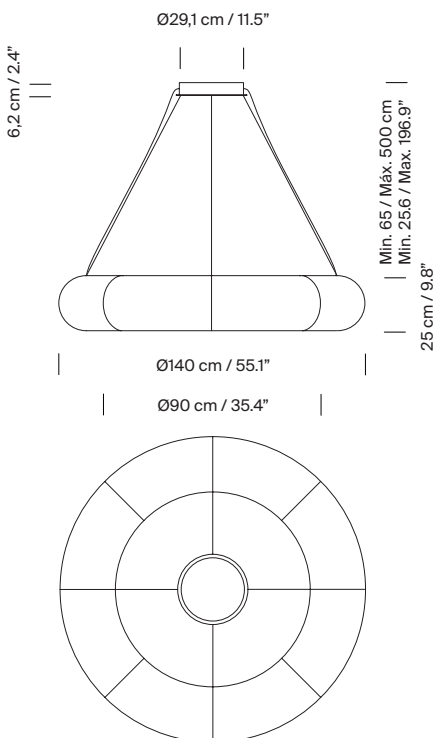
Models / Codes: European Version

Tekiò Circular P4



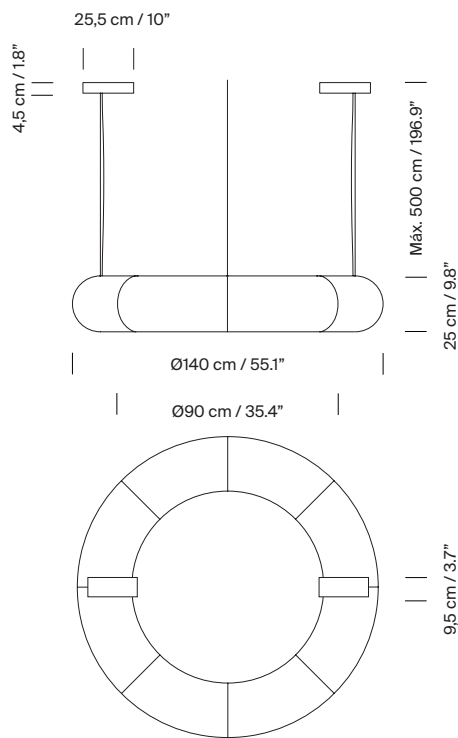
Code	Dimming
TKCPB01	1-10 V
TKCPB01D	DALI
TKCPB01C	CASAMBI

Tekiò Circular P8 / Circular Canopy



Code	Dimming
TKCPA01	1-10 V
TKCPA01D	DALI
TKCPA01C	CASAMBI

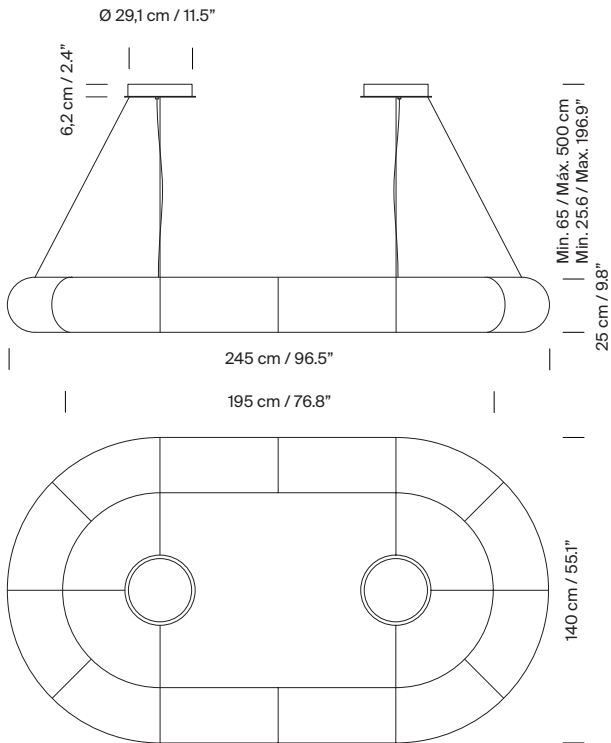
Tekiò Circular P8 / Rectangular Canopy



Code	Dimming
TKCPA02	1-10 V
TKCPA02D	DALI
TKCPA02C	CASAMBI

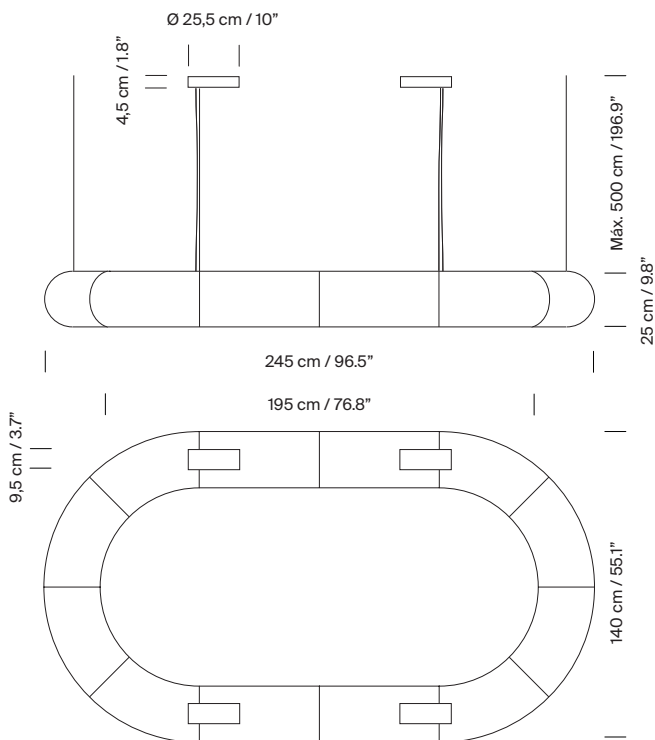
Models / Codes: European Version

Tekiò Oval P12 / Circular Canopy



Code	Dimming
TKOPA01	1-10 V
TKOPA01D	DALI
TKOPA01C	CASAMBI

Tekiò Oval P12 / Rectangular Canopy

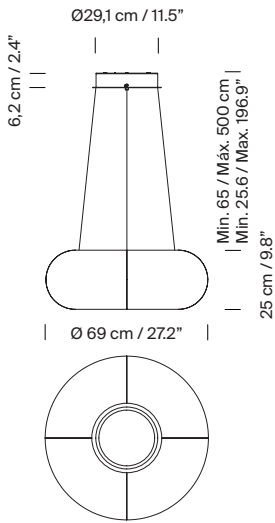


Code	Dimming
TKOPA02	1-10 V
TKOPA02D	DALI
TKOPA02C	CASAMBI



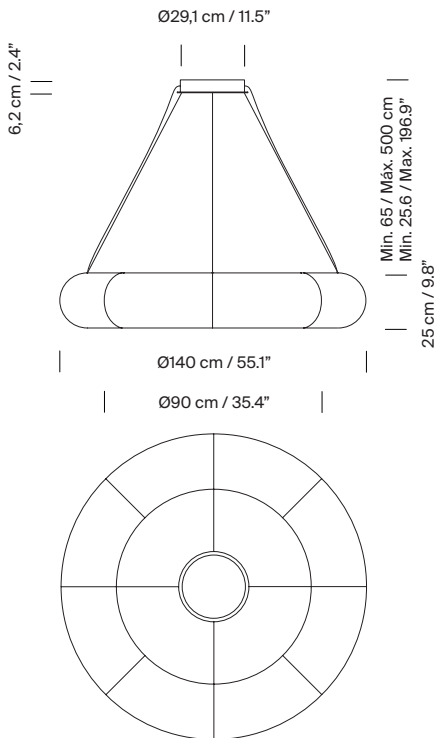
Models / Codes: American Version

Tekiò Circular P4



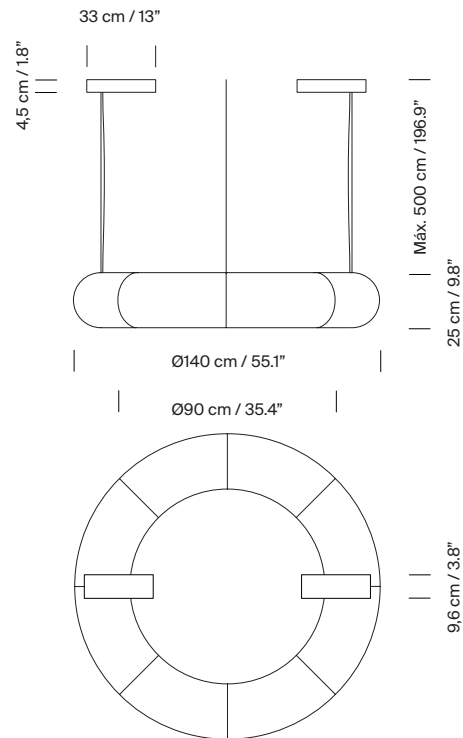
Code	Dimming
TKCPB01UL	0-10 V

Tekiò Circular P8 / Circular Canopy



Code	Dimming
TKCPA01UL	0-10 V

Tekiò Circular P8 / Rectangular Canopy

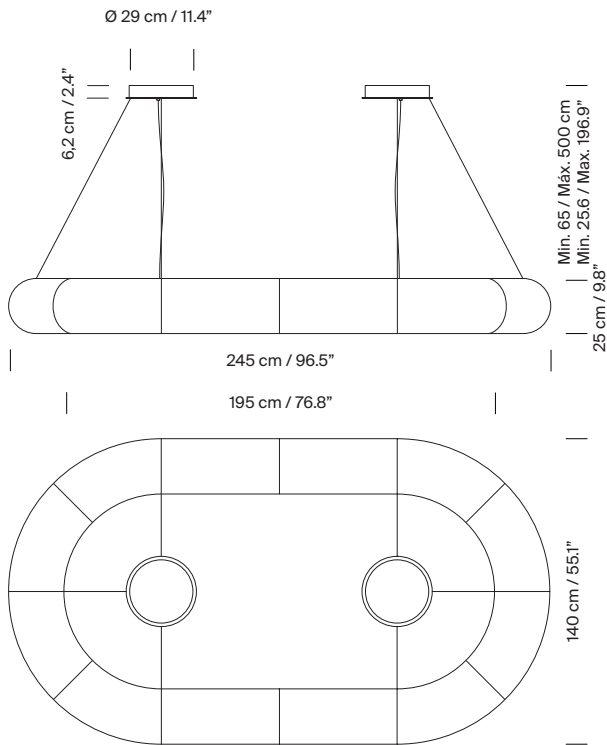


Code	Dimming
TKCPA02UL	0-10 V



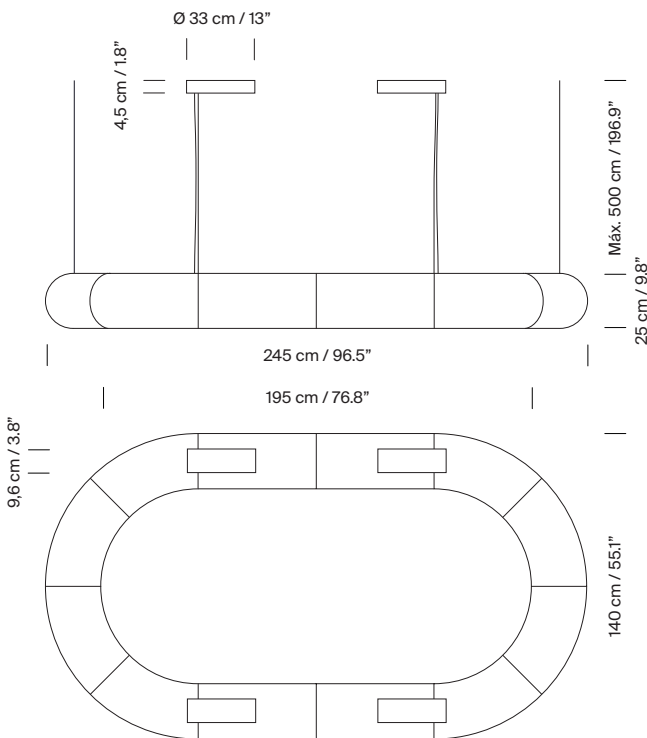
Models / Codes: American Version

Tekiò Oval P12 / Circular Canopy



Code	Dimming
TKOPA01UL	0-10 V

Tekiò Oval P12 / Rectangular Canopy



Code	Dimming
TKOPA02UL	0-10 V

Collection:
Pendant lamps



Tekiò Vertical



Tekiò Horizontal



Tekiò Circular