

## Tekiò Circular

Anthony Dickens. 2017  
Pendant lamps



### Canopies



Circular



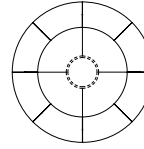
Rectangular

### Tekiò Circular P4



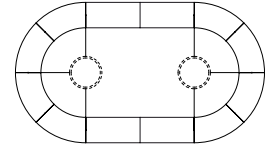
A

### Tekiò Circular P8



B

### Tekiò Oval P12



C



Be it the small circle, the medium circle or the large oval, the lamp dressed in Washi paper diffuses an excellent light in any setting. Absorbing yet righteous personality, a subtle and rich elegance.

### General description:

Washi Japanese paper shade.

Metal structure.

(A)  $\varnothing$  69 cm / 27.2" for 4 lampshades.

(B)  $\varnothing$  140 cm / 55.1" for 8 lampshades.

(C)  $\varnothing$  250 x 140 cm / 98.4" x 55.1" for 12 lampshades.

2 options of white grey metallic canopy with power supply incorporated:

Circular canopy  $\varnothing$ 29 cm / 11.4"

Rectangular (B / C models) 330 x 96 x 45 cm.

Electric cable length: 5 m / 196.8"

### Approximate weight (unpacked):

(A) Tekiò Circular P4: 5,5 Kg / 12.1 lb

(B) Tekiò Circular P8: 15 Kg / 33.1 lb

(C) Tekiò Oval P12: 20 Kg / 44.1 lb

## Tekiò Circular

Anthony Dickens. 2017  
Pendant lamps

### Technical information:

Light source included (dimmable).  
LED module.

(A)

Rated input wattage: 72 W (European version) / 54 W (American version)  
Luminous flux: 3.050 lm (European version) / 2.257 lm (American version)

(B)

Rated input wattage: 200 W (European version) / 150 W (American version)  
Luminous flux: 8.084 lm (European version) / 5.983 lm (American version)

(C)

Rated input wattage: 300 W (European version) / 246 W (American version)  
Luminous flux: 13.091 lm (European version) / 9.818 lm (American version)

Operating voltage: 24 VDC  
CCT: 2.200K - 2.700K  
CRI: 90  
Lifetime: 40.000 h

Built-in LED

European version: suitable for dimming 1-10V / DALI. Not included external dimmer switch 1-10V / DALI.

American version: suitable for dimming 0-10V. Not included external dimmer switch 0-10V.

Dim to Warm control 2200K- 2700K.

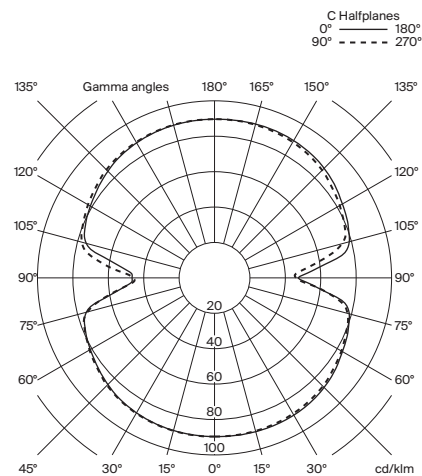
Suitable only for indoor use.

Always use this light source.

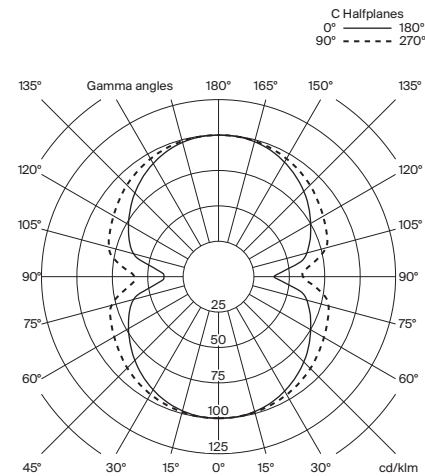
Input voltage: 100 ~ 277 Vac.

(50 Hz / 60 Hz). According to destination.

### Model A/B: Tekiò Circular



### Model C: Tekiò Oval P12



### Regulations:

European version

UNE-EN 60598

UNE-EN 55015

UNE-EN 60529

American version

Dry location only

UL-1598

UL-8750

E-336377

### Maintenance:

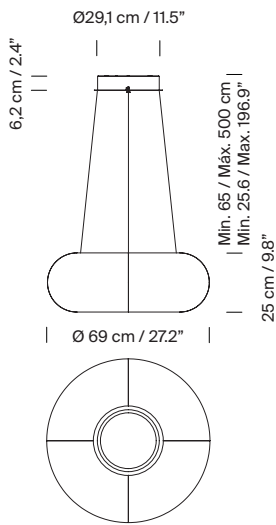
Clean with a smooth cloth. Do not use ammonia, solvents or abrasive cleaning products.

### Others:

The lamp is delivered in different packages.

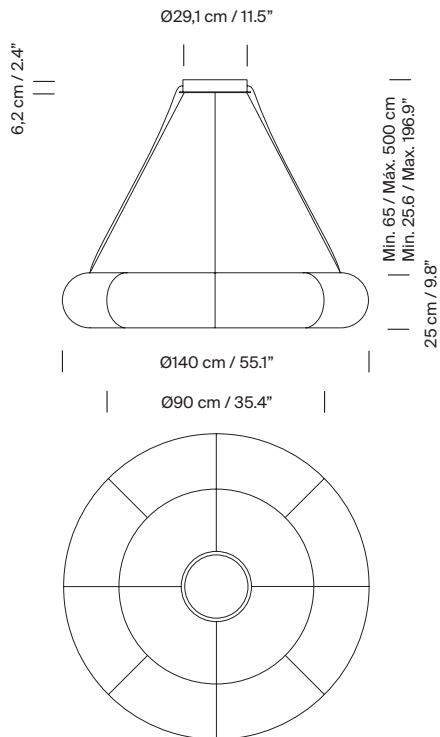
The assembly instructions are delivered with the product.

**Model A: Tekiò Circular P4**

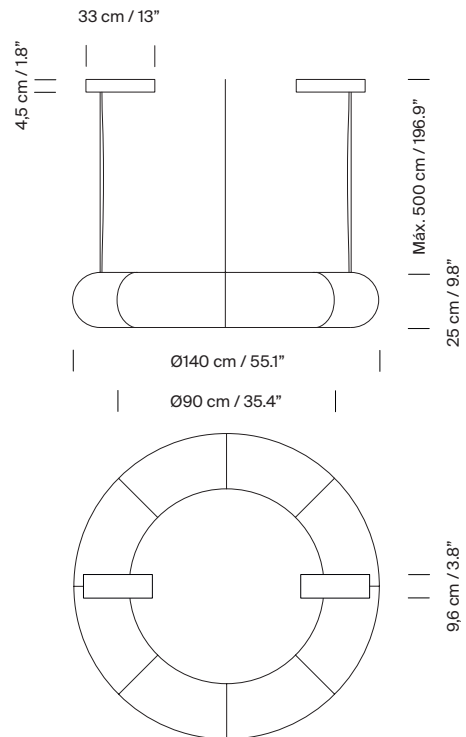


**Model B: Tekiò Circular P8**

**Circular canopy**

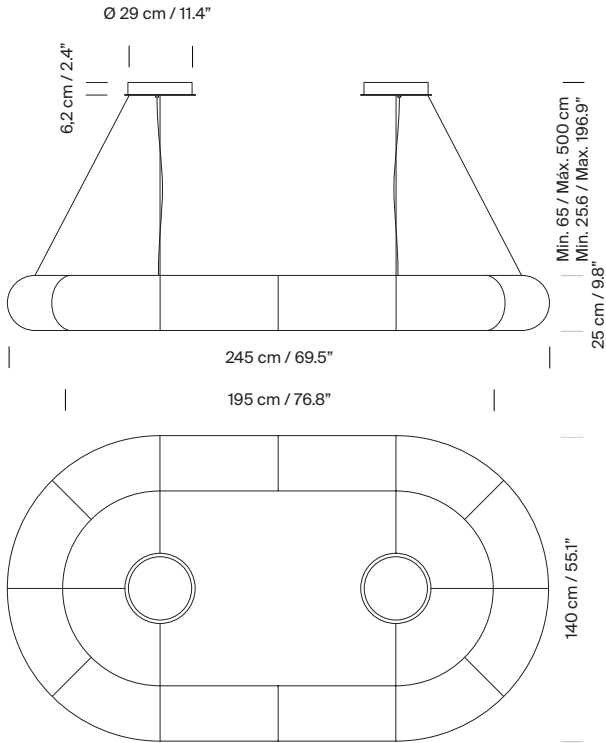


**Rectangular canopy**

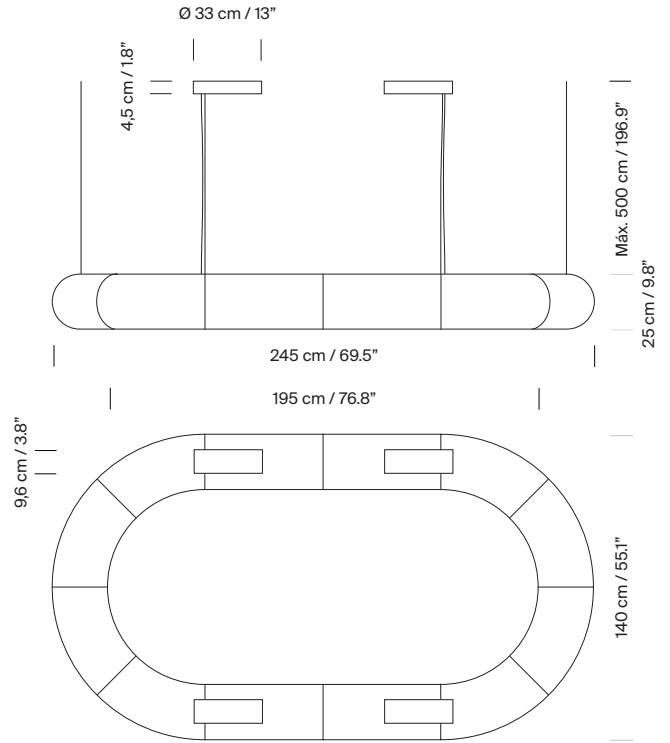


**Model B: Tekiò Oval P12**

Circular canopy



Rectangular canopy



**Collection:**  
 Pendant lamps



Tekiò Vertical



Tekiò Horizontal



Tekiò Circular