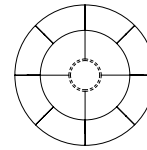


Tekiò Circular

Anthony Dickens. 2017
Pendant lamps

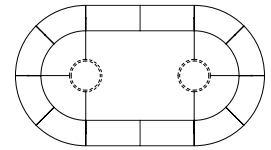


Tekiò Circular P8



A

Tekiò Oval P12



B



Tekiò, the Japanese word for adaptation, merges ancient artisan techniques with Warm to Dim LED technology that enables control of intensity and colour temperature. Tekiò combines traditional and avant-garde in a unique and contemporary design, featuring modern lighting structures carefully dressed in handmade paper. Linear or circular shapes can be created by combining various modules.

London designer Anthony Dickens was inspired by the traditional Japanese lantern made from washi paper, which dates back to the 14th century and is now an everyday object in the life of the Japanese. The paper, used by Isamu Noguchi to create the famous Akari lamps, has been inscribed on UNESCO's List of the Intangible Cultural Heritage of Humanity. Washi is resilient and ductile, even malleable. It has a warm texture that filters in a soft, gentle light. Santa & Cole relies on the hands of experts in the Japanese city of Mito for manufacturing the paper, one of the cities specialised in its production.

General description:

White S&C metal structure with matte finish.

Washi Japanese paper shade.

(A) \varnothing 140 cm / 55.1" for 8 lampshades.

(B) \varnothing 250x140 cm / 98.4" x 55.1" para for 12 lampshades.

2 options of white S&C metallic canopy with power supply incorporated: circular canopy \varnothing 29 cm / 11.4 and rectangular canopy 330 x 96 x 45 cm.

Methacrylate inner diffuser.

Electric cable length: 5 m / 196.8"

Approximate weight (unpacked):

(A) Tekiò Circular P8: 15 Kg / 33.1 lb

(B) Tekiò Oval P12: 20 Kg / 44.1 lb

Consider the weight of the luminaire in the installation.

Technical information:

Light source included.

(A) Strip of 1120 LEDs

Rated input wattage: 200 W / UL 150 W

Operating voltage: 24VDC

Colour Temp: 2.200K - 2.700K

CRI: 85

Lifetime: 40.000 h

Luminous flux: 8.084 lm / UL 5.983 lm

(B) Strip of 1776 LEDs

Rated input wattage: 320 W / UL 246 W

Operating voltage: 24VDC

Colour Temp: 2.200K - 2.700K

CRI : 85

Lifetime: 40.000 h

Luminous flux: 15.670 lm / UL 9.818 lm

Built-in LED

Suitable for dimming 1-10V / UL 0-10V. (Not

included external dimmer switch

1-10V / UL 0-10V). Warm dim control

2200K- 2700K.

Energy efficiency class (E.E.C):

A⁺⁺... A.

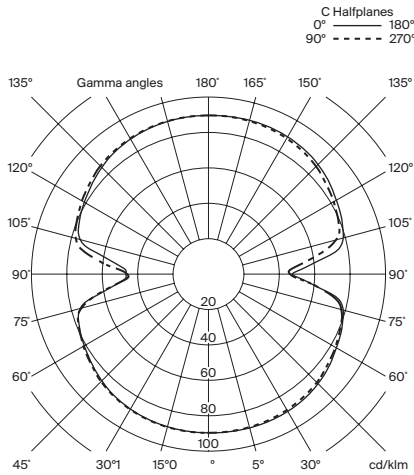
Suitable only for indoor use.

Always use this light source.

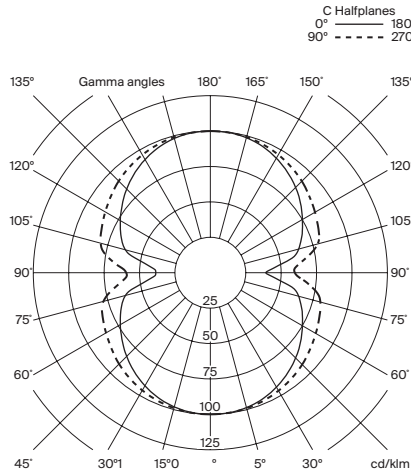
Input voltage: 100 ~ 277 Vac.

(50 Hz / 60 Hz). According to destination.

Model A: Tekiò Circular P8



Model B: Tekiò Oval P12



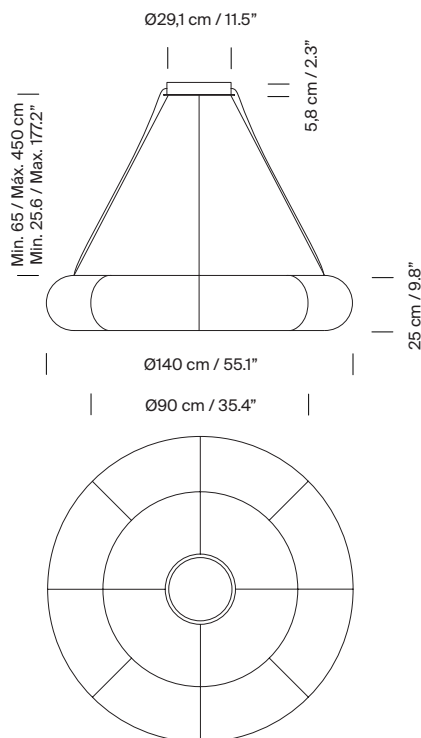
Regulations:
 CE
 UNE-EN 60598
 UNE-EN 55015
 UNE-EN 60529

UL
 Dry location only
 UL-1598
 UL-8750
 E-336377

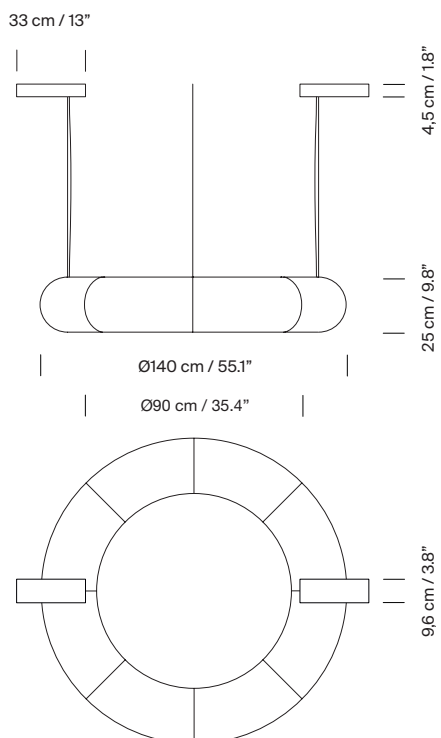
Maintenance:
 Clean with a smooth cloth. Do not use ammonia, solvents or abrasive cleaning products. Do not expose to oil vapors or fats.

Others:
 The lamp is delivered in different packages.
 The assembly instructions are delivered with the product.

Modelo A: Tekiò Circular P8. Circular canopy

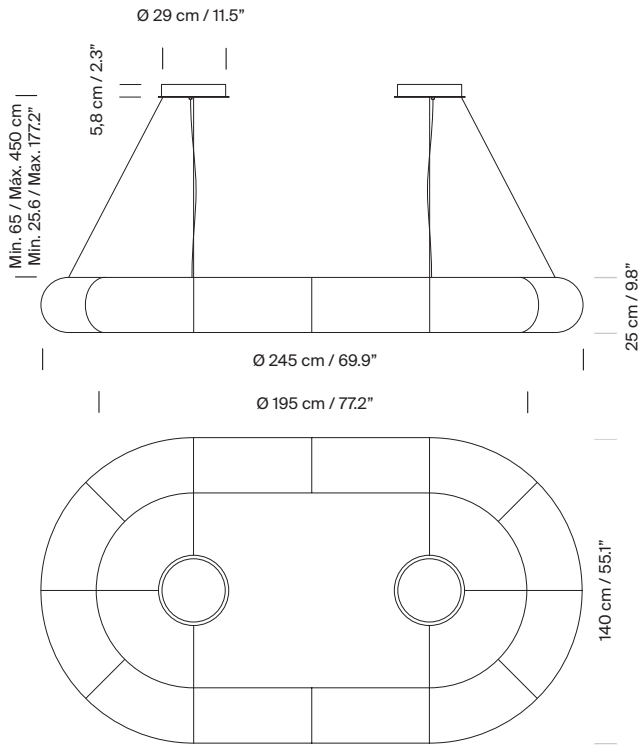


Rectangular canopy

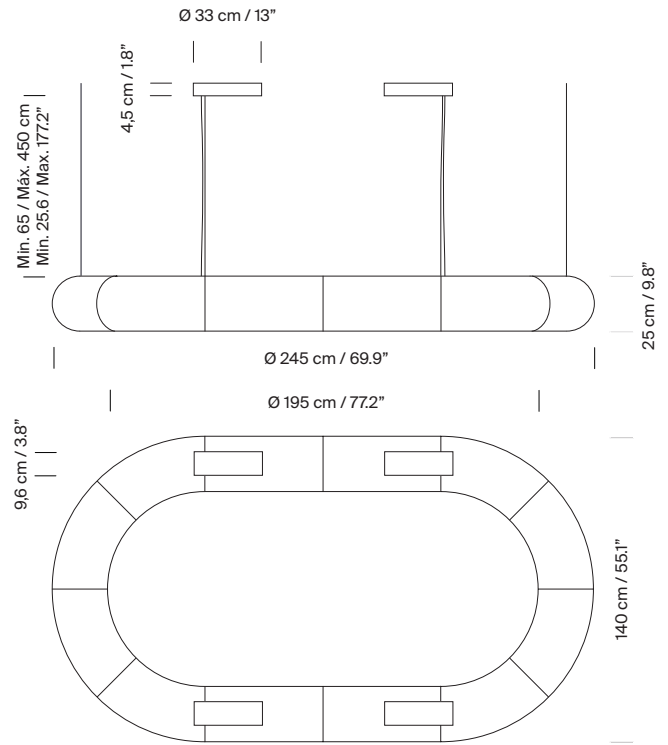


Model B: Tekiò Oval P12

Circular canopy



Rectangular canopy



Collection:
 Pendant lamps



Tekiò Vertical



Tekiò Horizontal



Tekiò Circular