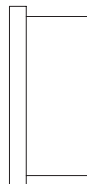


TMM Metálico

Miguel Milá, 2002

Wall lamp



This variation on the long TMM wall lamp incorporates a metal channel and a white methacrylate shade, making both materials more damp resistant than their wooden and parchment counterparts.

GENERAL DESCRIPTION

Satin nickel structure.
White methacrylate shade.
Suitable for Outlet Box (UL market).

APPROXIMATE WEIGHT (unpacked)

2,6kg / 5.7 lb

LIGHT SOURCE

Recommended light sources:

LED bulb: 6 W

Compact fluorescent: 11 W

Incandescent: Max. 60 W

E27 - E26

(Max. hgt. 105 mm / 4.1")

Light source not included.

Compatible with bulbs of the
Energy efficiency class (E.E.C):

A++ ... E.

Suitable only for indoor use.

Always use the light source
recommended or equivalent.

Input voltaje : 100, 120, 230 Vac.

(50 Hz / 60 Hz). According to destination.

REGULATIONS

CE



IP 20

UNE-EN 60598

UNE-EN 55015

UNE-EN 60529



Non-class 2

Dry location only

UL-1598

E-353545



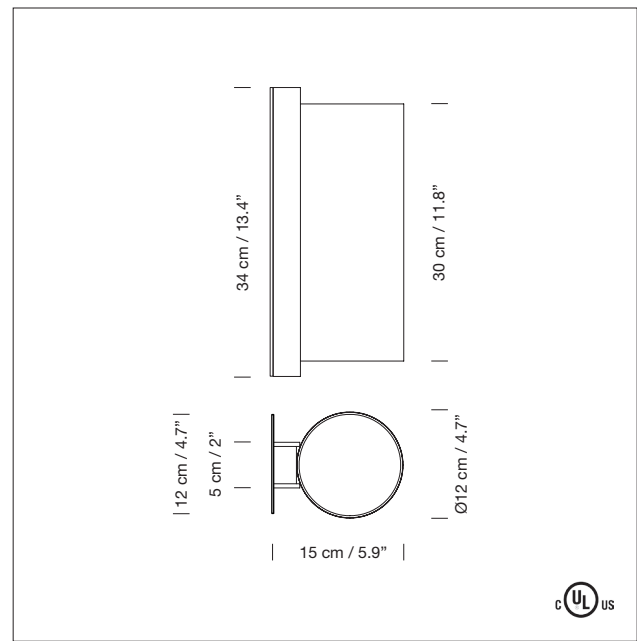
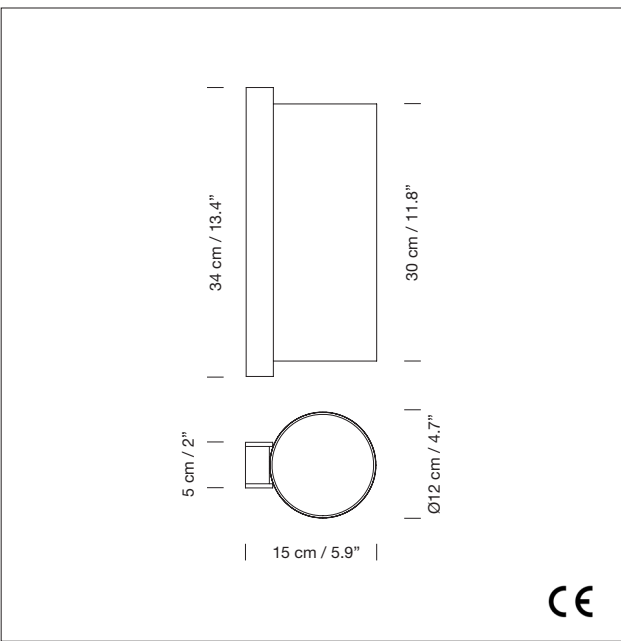
MAINTENANCE

Clean with a smooth cloth. Do not use ammonia, solvents or abrasive cleaning products.

OTHERS

The lamp are delivered in one package.
The assembly instructions are delivered with the product.

MODELS



COLLECTION

Floor lamp



TMM

Wall lamps



TMM corto



TMM largo



TMM Metálico