

Sylvestrina

Jordi Garcés, Enric Sòria. 2021
Wall Lamp


SANTA & COLE



This wall lamp has a circular metal base finished in shiny black and a cylindrical glass shade that diffuses a warm light. Maintaining the inspiration of its designers based on the traditional candle, the Sylvestrina wall lamp provides an ambient light suitable for wide spaces, corridors and for smaller corners.

General description:

Transparent Pyrex glass lampshade. White translucent diffuser.
Glossy black metallic base.
Suitable for Outlet Box (American version).

Approximate weight (unpacked):

1,3 Kg / 2.9 lb

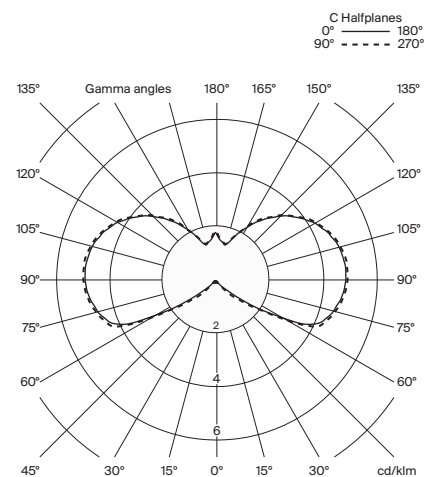
Technical information:

Light source included (dimmable).
LED bulb (S&C DC bulb)

Rated input wattage: 2,2W
Operating current: 300 mA
CCT: 2.200 K
CRI: 85
Lifetime: 40.000 h
Luminous flux: 45 lm

Built-in dimmable LED.
Suitable for dimming 1-10V. Not included external dimmer switch 1-10V.
Suitable only for indoor use.

Input voltage: 100 ~ 240 Vac.
(50 Hz / 60 Hz). According to destination.



Sylvestrina

Jordi Garcés, Enric Sòria. 2021
Wall Lamp

Regulations:

European version
UNE-EN 60598
UNE-EN 55015
UNE-EN 60529

American version
Dry location only
UL-8750
UL-1598
E-336377

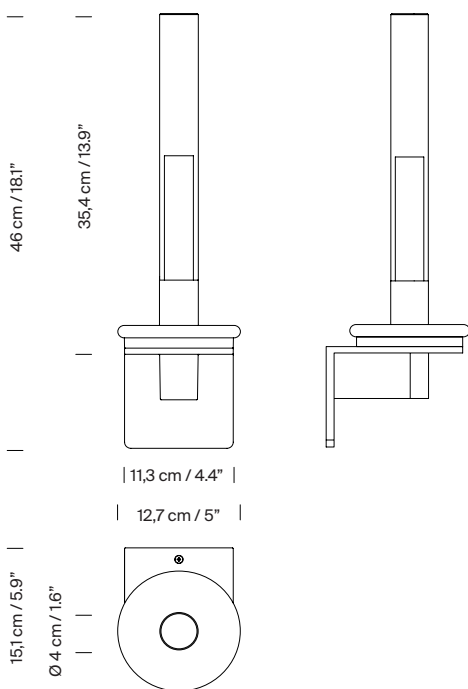
Maintenance:

Clean with a smooth cloth. Do not use ammonia, solvents or abrasive cleaning products.

Others:

The lamp is delivered in one package.
The assembly instructions are delivered with the product.

Model:



Collection:

Table lamps

Wall lamps



Sylvestrina



Sylvestrina