

## Oco

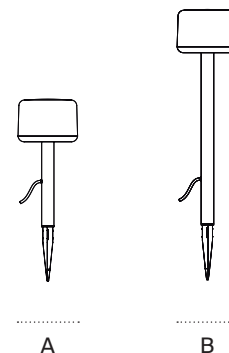
Causas Externas. 2010  
Garden

  
SANTA & COLE



Oco 33

Oco 55



Oco is an outdoor lamp, suitable for gardens, porches and patios, which largely shines its light towards the ground, although its amber colour is also beamed skywards, lighting up paths and providing an ambience of colour. The light source consists of an LED plate and it is available with two shaft heights (long and short). Its consumption is negligible and constitutes an excellent accompaniment to summer evenings.

### General description:

Black aluminium shaft with stake (optional base with support).

2 heights: (A) 55 cm / 21.6" and (B) 33 cm / 12.9".

Polycarbonate casing.

Power supply incorporated.

Upper cover in amber colour.

### Light source:

Light source included:

Power system: 4,2 W

Operating voltage: 350 mA

T<sup>a</sup> Colour: 2.700 K

CRI: 85

Lifetime: 40.000 h

Luminous flux: 262 lm

Built-in LED.

Energy efficiency class (E.E.C): A++ ... A.

Lamps are suitable for outdoor or indoor use.

Always use this light source.

Input voltage : 120 ~ 240 Vac.

(50 Hz / 60 Hz). According to destination.

### Approximate weight (unpacked):

(A) Oco 33: 0,70 Kg / 1.55 lb

(B) Oco 55: 0,85 Kg / 1.85 lb

### Regulations:

CE

UNE-EN 60598

UNE-EN 55015

UNE-EN 62031

UNE-EN 60129

IEC 61347

## Oco

Causas Externas. 2010  
Garden

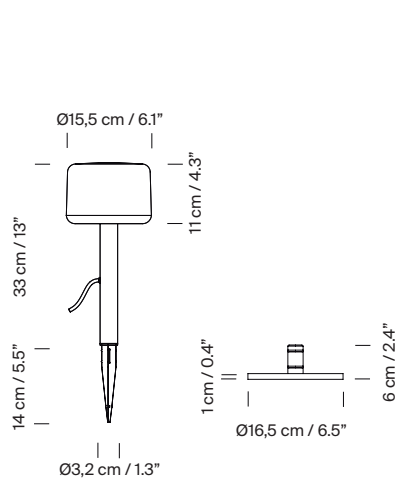
### Maintenance:

Clean with a smooth cloth. Do not use ammonia, solvents or abrasive cleaning products.

### Others:

The lamp is delivered in one package.  
The assembly instructions are delivered with the product.  
Never disassemble the casing, never press the top cover.

### Model A: Oco 33 (sizes in cm)



### Model B: Oco 55 (sizes in cm)

