

## Nimba

Antoni Arola. 1997  
Pendant lamps



Nimba 60



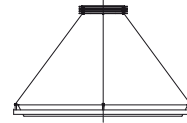
A

Nimba 90



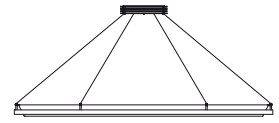
B

Nimba 120



C

Nimba 180



D

### Structure



Natural finish



Golden varnish



Nimba is the first lamp designed by Antoni Arola at the end of the 90s, as one of the first luminous halos on the market. It is a floating ring formed by a metal profile, and an inner shade that diffuses the light. The concept of an indoor, rather than an outdoor, shade was very innovative at the time. The lamp's name is inspired by "the nimbus or halo around holy images, which can be seen, but is not there". Nimba shines light on the centre of nowhere to radiate out in all directions.

Used as a single unit or in sequence, Nimba provides the perfect amount of soft light to create a mythical atmosphere, suitable for both transit spaces and secluded areas. The family features four LED lamp models in different diameters, seamlessly fusing simplicity and high-technology.

### General description:

Stainless steel structure with natural or gold varnish finish.

White PVC lampshade.

Black metallic circular canopy with power supply incorporated.

Suitable for Junction Box (American version).

Electric cable length: 5 m / 196.8"

### Approximate weight (unpacked):

(A) Nimba 60: 7,4 Kg / 16.3 lb

(B) Nimba 90: 9,5 Kg / 20.9 lb

(C) Nimba 120: 12,6 Kg / 27.8 lb

(D) Nimba 180: 17 Kg / 37.5 lb

## Nimba

Antoni Arola. 1997  
Pendant lamps

### Technical information:

Light source included (dimmable).  
LED Module

#### (A) Nimba 60:

Rated input wattage: 45 W  
Luminous flux: 1944 lm

#### (B) Nimba 90:

Rated input wattage: 65 W  
Luminous flux: 2754 lm

#### (C) Nimba 120:

Rated input wattage: 95 W  
Luminous flux: 3889 lm

#### (D) Nimba 180:

Rated input wattage: 140 W  
Luminous flux: 5833 lm

Operating voltage: 24 VDC

CCT: 2.700 K

CRI: 90

Lifetime: 40.000 h

Built-in dimmable LED.

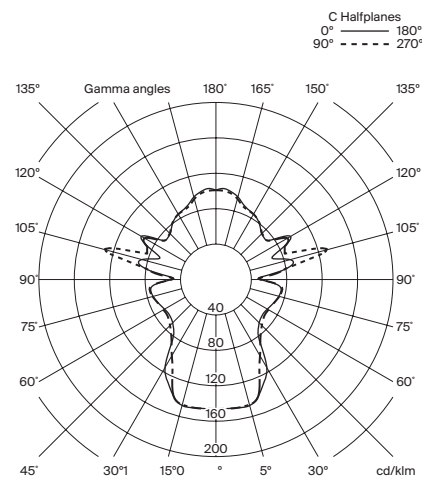
European version: suitable for dimming 1-10V / DALI. Not included external dimmer switch 1-10V / DALI.

American version: suitable for dimming 1-10V. Not included external dimmer switch 1-10V.

Lamp suitable only for indoor use.

Input voltage: 100 ~ 240 Vac.

(50 Hz / 60 Hz). According to destination.



### Regulations:

European version

UNE-EN 60598

UNE-EN 55015

UNE-EN 62031

UNE-EN 61000-3-2

UNE-EN 60529

UNE-EN 61347-2-13

American version

Dry location only

UL-1598

UL-8750

E-336377

### Maintenance:

Clean with a smooth cloth. Do not use ammonia, solvents or abrasive cleaning products.

### Others:

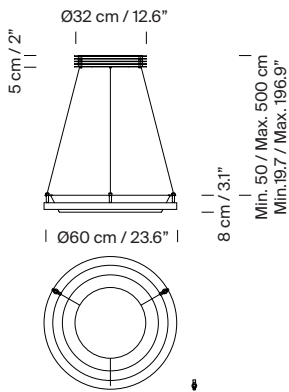
The lamp is delivered in different packages.

The assembly instructions are delivered with the product.

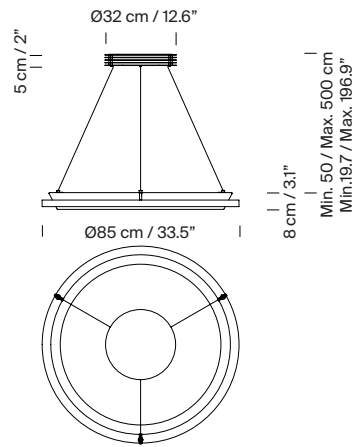
# Nimba

Antoni Arola. 1997  
Pendant lamps

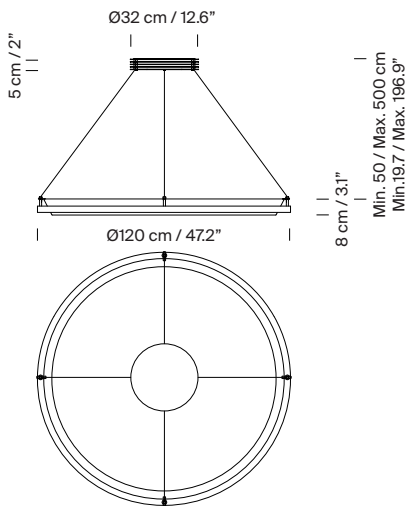
## Model A: Nimba 60



## Model B: Nimba 90



## Model C: Nimba 120



## Model D: Nimba 180

