

M68

Miguel Milá. 1962
Pendant lamps



Lampshades



A beautiful, woman shoulder-shaped pendant lamp that features pleasing curves and a timeless feel. The M68 is an aluminium reissue of the famous pop lamp from the 1960s, also by Miguel Milá. It is now available in brilliant red, matt white or black, and polished aluminium.

The opaque shade and bell-shape cross section generate a diffuse lighting that enhances everything it illuminates. From the centre runs the electric cable and a mini metal cylinder that attach the shade to the fine steel wire from which it hangs.

General description:

Aluminum lampshade available in 4 finishes:

- Polished aluminum. Chrome-plated canopy
- Glossy pure red exterior, polished aluminum interior. Pure red canopy.
- Matte black exterior, polished aluminum interior. Black canopy.
- Matte white grey exterior and interior. White canopy.

Metallic circular canopy suitable for side entry adaptor.

Junction Box adaptor included Ø 11,7 cm / 4.6" (American version).

Electric cable length: 3 m / 118.1"

Approximate weight (unpacked):

1,6 kg / 3.5 lb

Technical information:

Recommended light source:

LED bulb: 11 W

Other light sources: Máx. 100 W

E27 - E26 (Max. hgt. 130 mm / 5.1")

Light source not included.

Suitable only for indoor use.

Always use the light source recommended or equivalent.

Input voltaje : 100, 120, 230 Vac.

(50 Hz / 60 Hz). According to destination.

M68

Miguel Milá. 1962
Pendant lamps

Regulations:

European version
UNE-EN 60598
UNE-EN 55015
UNE-EN 60529

American version
Dry location only
UL-1598
E-353545

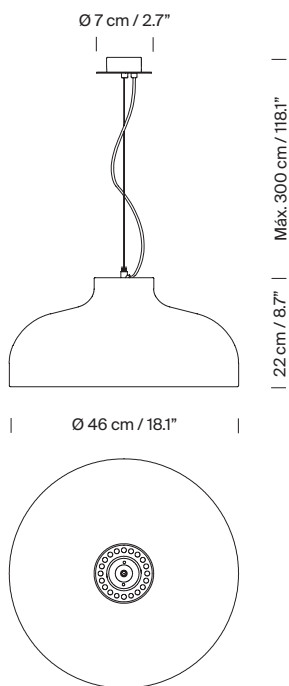
Maintenance:

Clean with a smooth cloth. Do not use ammonia, solvents or abrasive cleaning products.

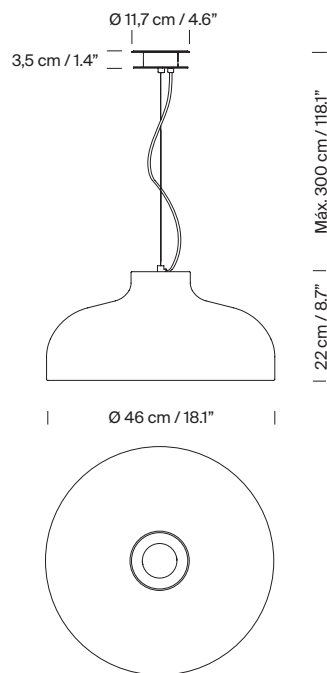
Others:

The lamp is delivered in one package.
The assembly instructions are delivered with the product.

Model (European version):



Model (American version):



Collection:

Pendant lamps



M64



M68