

M68

Miguel Milá. 1962
Pendant lamps



The hugely evocative shade on the M68 lamp immortalises the silhouette of a woman's shoulders. It is an aluminium re-edition of the famous methacrylate pop lamp from the 1960s – also by Miguel Milá – and it is now available in lively red, matte white or black, as well as in polished aluminium.

Since the shade is opaque, its bell-shape cross section gives it a large inside surface to diffuse the light. The electrical cable runs from the top middle area of the shade along with a tiny metal cylinder that links the shade and the steel wire that holds it aloft. In short, M68 is the friendliest way of lighting a large table.

General description:

4 versions available:

Polished aluminium lampshade and circular chrome-plated canopy.

Brilliant red aluminium lampshade and circular canopy.

Matte white or black aluminium lampshade and circular canopy.

Canopy suitable for side entry adaptor.

Junction Box adaptor included Ø 11,7 cm / 4.6" (UL market).

Electric cable length: 3 m / 118.1"

Approximate weight (unpacked):

1,6 kg / 3.5 lb

Technical information:

Recommended light source:

LED bulb: 10 W

Other light sources: Máx. 100 W

E27 - E26 (Max. hgt. 130 mm / 5.1")

Light source not included.

Compatible with bulbs of the Energy efficiency class (E.E.C): A++... E.

Suitable only for indoor use.

Always use the light source recommended or equivalent.

Input voltaje : 100, 120, 230 Vac.

(50 Hz / 60 Hz). According to destination.

M68

Miguel Milá. 1962
Pendant lamps


SANTA & COLE

Regulations:

CE
UNE-EN 60598
UNE-EN 55015
UNE-EN 60529

UL

Dry location only
UL-1598
E-353545

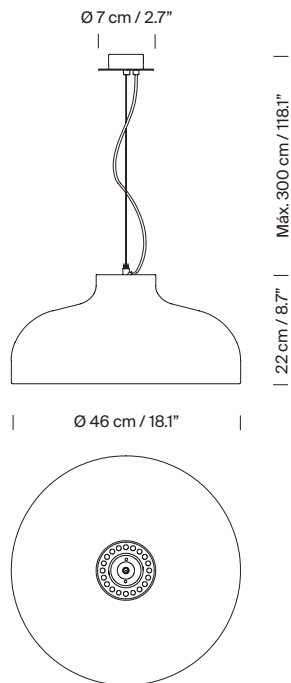
Maintenance:

Clean with a smooth cloth. Do not use ammonia, solvents or abrasive cleaning products.

Others:

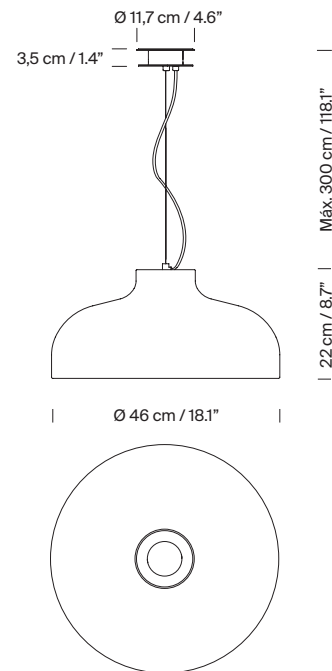
The lamp is delivered in one package.
The assembly instructions are delivered with the product.

CE Model:



CE

UL Modelo:



cULUS

Collection:

Pendant lamps



M64



M68