

Lámina Mayor

Antoni Arola. 2018
Pendant Lamp


SANTA & COLE



A line of light and a thin metal sheet create a soft and effective diffusion. Lámina exploits the virtues of reflected light with simple, clean lines in varying shades and sizes, laid bare and fully exposed.

This pendant lamp fascinates the eye with the elegance of its curve and soothing light. In 1907, painter Mariano Fortuny Madrazo prolifically used reflective lighting, which he deemed essential to achieve the right colour, with his iconic homonymous lamp.

General description:

White gray metallic shade with glossy finish (exterior).

Black metal structure with matte finish.

Polycarbonate diffuser.

Electric cable length: 5 m / 196.9"

Approximate weight (unpacked):

Lámina Mayor: 12,3 Kg / 27.1 lb

Technical information:

Light source included (dimmable).

LED module

Rated input wattage: 44 W

Operating current: 1050 mA

CCT: 2.700K

CRI: 90

Lifetime: 40.000 h

Luminous flux: 1.977 lm

Built-in LED.

European version: suitable for dimming 0-10V / DALI. Not included external dimmer switch 0-10V / DALI.

American version: suitable for dimming 1-10V. Not included external dimmer switch 1-10V.

Suitable only for indoor use.

Always use this light source.

Input voltage: 110 ~ 277 Vac.

(50 Hz / 60 Hz). According to destination.

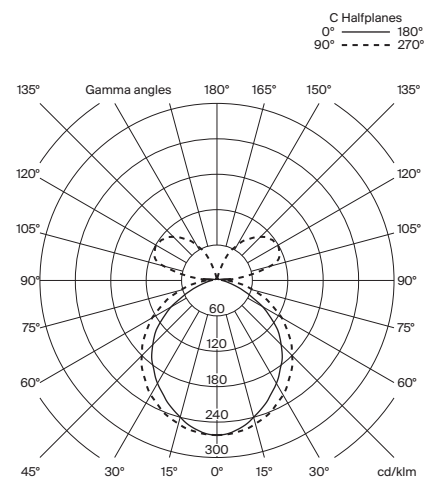


Lámina Mayor

Antoni Arola. 2018
Pendant Lamp

Regulations:

European version
UNE-EN 60598
UNE-EN 55015
UNE-EN 60529

American version

UL-1598
UL-8750
E-336377

Dry location only

Maintenance:

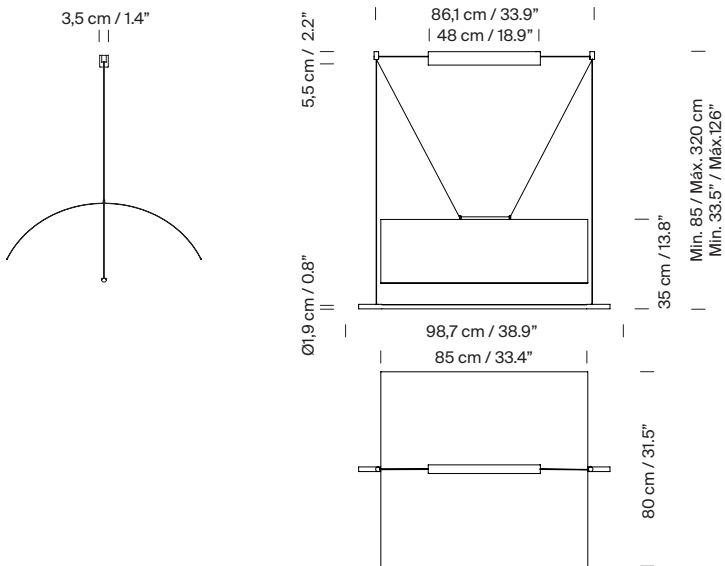
Clean with a smooth cloth. Do not use ammonia, solvents or abrasive cleaning products.

Others:

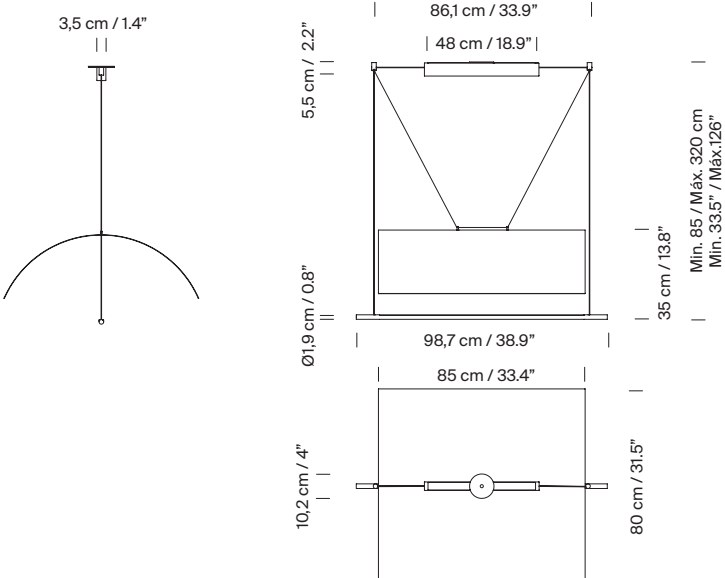
The lamp is delivered in one package.

The assembly instructions are delivered with the product.

Modelo:



CE



UL US

Lámina Mayor

Antoni Arola. 2018
Pendant Lamp

Collection:

Table lamps

Floor lamps

Pendant lamps



Lámina 45



Lámina 45



Lámina 165



Lámina 45 / 85



Lámina 165



Lámina Mayor

Wall lamps



Lámina 45



Lámina 165