

Lámina 45 / 85

Antoni Arola. 2018
Pendant Lamp


SANTA & COLE



Lámina 45



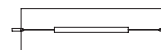
A

Sistema Lámina 45



B

Lámina 85



C

Sistema Lámina 85



D



A line of light and a thin metal sheet create a soft and effective diffusion. Lámina exploits the virtues of reflected light with simple, clean lines in varying shades and sizes, laid bare and fully exposed.

This pendant lamp fascinates the eye with the elegance of its curve and soothing light. In 1907, painter Mariano Fortuny Madrazo prolifically used reflective lighting, which he deemed essential to achieve the right colour, with his iconic homonymous lamp.

General description:

White grey metallic shade with glossy finish (exterior).
Black metal structure with matte finish.
Polycarbonate diffuser.
Electric cable length: 5 m / 196.9"

Approximate weight (unpacked):

(A) Lámina 45: 2,8 Kg / 6.2 lb
(B) Sistema Lámina 45: 4 Kg / 8.8 lb
(C) Lámina 85: 3,7 Kg / 8.2 lb
(D) Sistema Lámina 85: 5,9 Kg / 13 lb

Technical information:

Light source included (dimmable).

(A) LED module
Rated input wattage: 18 W
Operating current: 700 mA
Luminous flux: 711 lm

(B) LED module
Rated input wattage: 31 W
Operating current: 700 mA
Luminous flux: 1.422 lm

(C) LED module
Rated input wattage: 31 W
Operating current: 700 mA
Luminous flux: 1.394 lm

(D) LED module
Rated input wattage: 54 W
Operating current: 700 mA
Luminous flux: 2.788 lm

CCT: 2.700K
CRI: 90
Lifetime: 40.000 h

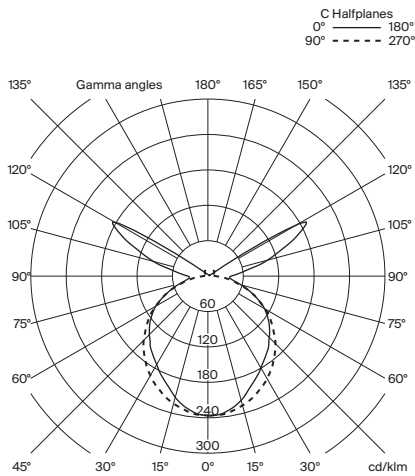
Built-in LED.
European version: suitable for dimming 0-10V / DALI. Not included external dimmer switch 0-10V / DALI.
American version: suitable for dimming 1-10V. Not included external dimmer switch 1-10V.
Suitable only for indoor use.
Always use this light source.

Input voltage: 110 ~ 277 Vac.
(50 Hz / 60 Hz). According to destination.

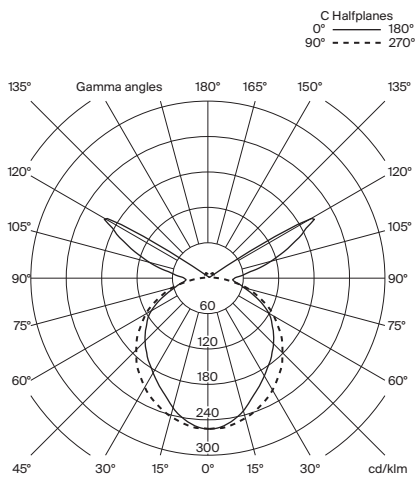
Lámina 45 / 85

Antoni Arola. 2018
Pendant Lamp

Model A: Lámina 45



Model E: Lámina 85



Regulations:

European version
UNE-EN 60598
UNE-EN 55015
UNE-EN 60529

American version

UL-1598
UL-8750
E-336377
Dry location only

Maintenance:

Clean with a smooth cloth. Do not use ammonia, solvents or abrasive cleaning products.

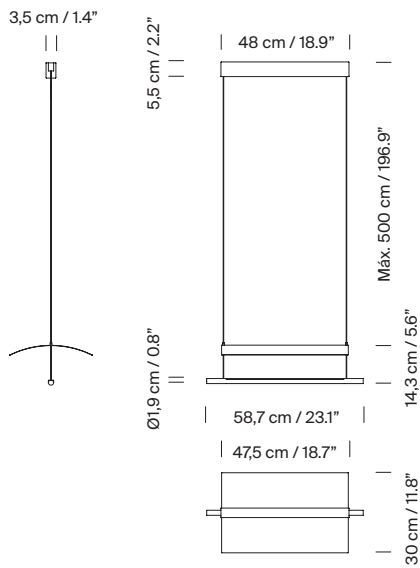
Others:

The lamp is delivered in different packages (**B, D**).
The assembly instructions are delivered with the product.

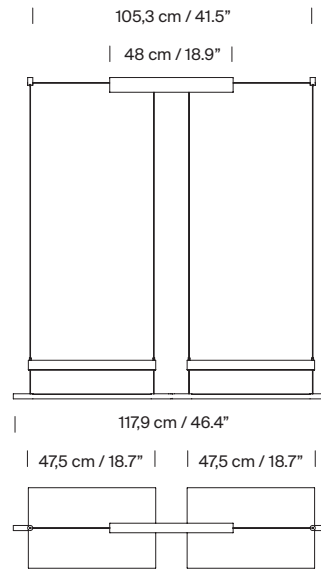
Lámina 45 / 85

Antoni Arola. 2018
Pendant Lamp

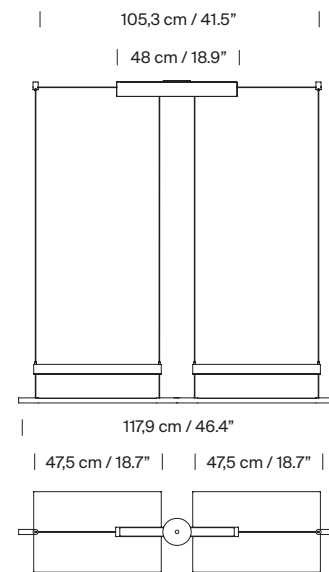
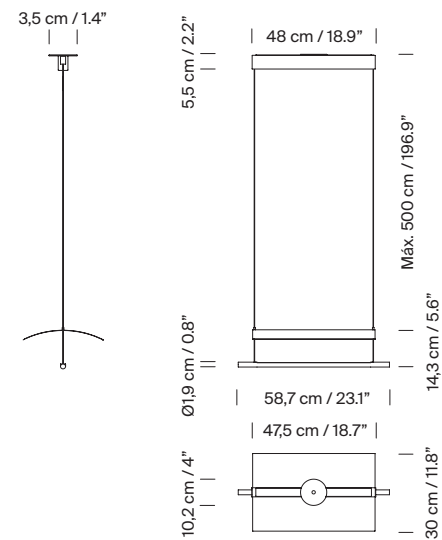
Modelo A: Lámina 45



Modelo B: Sistema Lámina 45 2 módulos



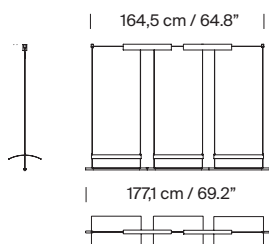
CE



UL US

Examples of composition

3 modules (A + B)



4 modules (A + 2B)

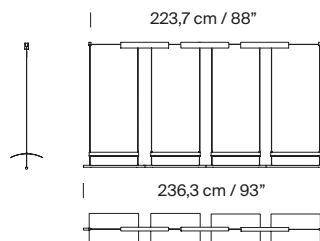
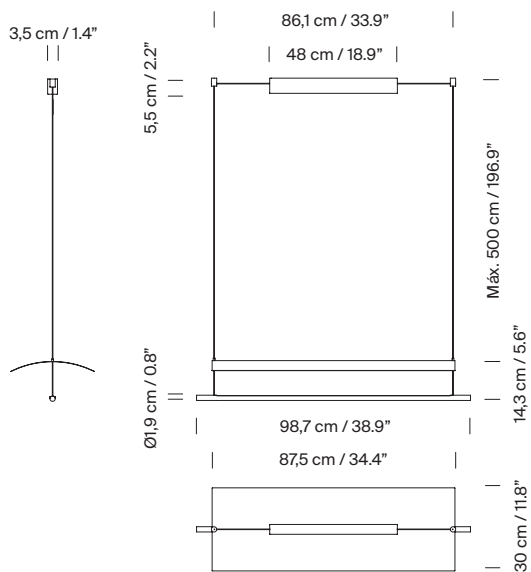


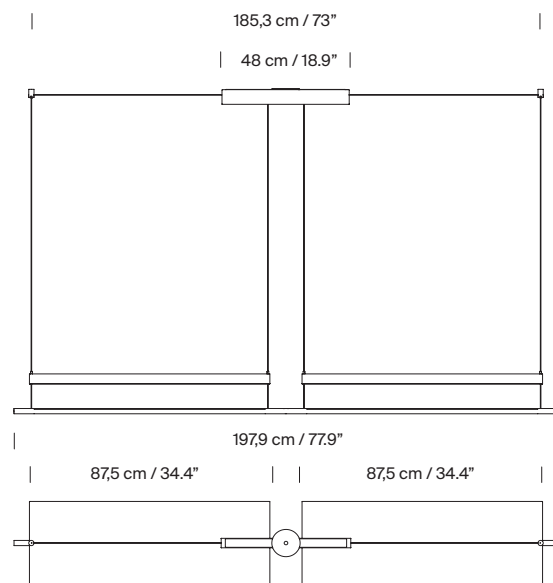
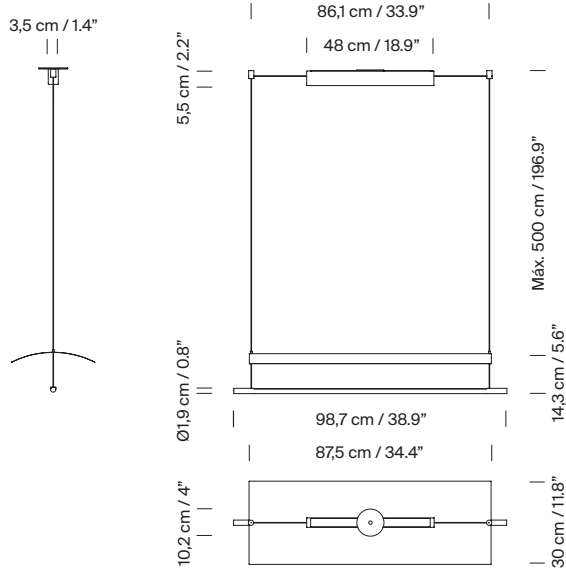
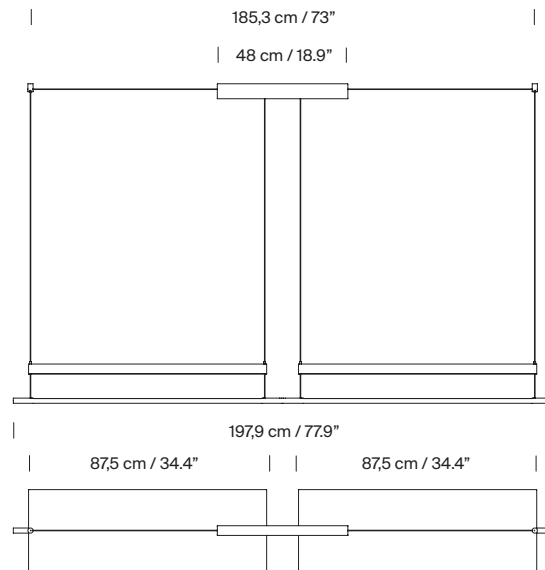
Lámina 45 / 85

Antoni Arola. 2018
Pendant Lamp

Modelo C: Lámina 85

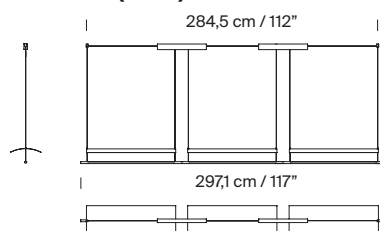


Modelo D: Sistema Lámina 85



Examples of composition

3 modules (A + B)



4 modules (A + 2B)

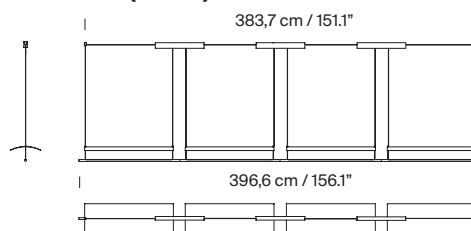


Lámina 45 / 85

Antoni Arola. 2018
Pendant Lamp

Collection:

Table lamps

Floor lamps

Pendant lamps



Lámina 45



Lámina 45



Lámina 165



Lámina 45 / 85



Lámina 165



Lámina Mayor

Wall lamps



Lámina 45



Lámina 165