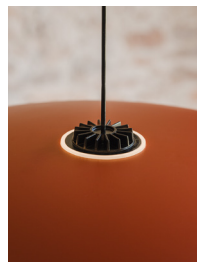


HeadHat Plate

Santa & Cole Team. 2013
Pendant lamps



HeadHat Plate S



A

HeadHat Plate M



B

HeadHat Plate L



C



The HeadHat Plate pendant lamp has a polished metal shade that projects wide, glare-free lighting. The proportion of diffusion varies according to shade size. Available in three sizes; small, medium and large, and in four colourful finishes; white, berry blue, hematite red and truffle brown. The HeadLED system and its light capsule allows for a single capsule (head) to fit different shades (hats). Its interchangeable modular components and technology lend the intuitive HeadHat system products a long life cycle, good heat dissipation and a glare-free lighting experience.

HeadHat system products incorporating the HeadLED technology include: the HeatHat Bowl, the HeadHat Plate, the M64 shade and the Cirio lamp with three shade options. The balance between tradition and modernity. An efficient and intuitive system that adapts to the user's needs, whether aesthetic or functional.

General description:

Capsule with LED module, translucent white diffuser and heat sink with matte black finish.

White, hematite red, berry blue or truffle brown metallic shade with matte finish. Includes diffuser in white methacrylate.

5 metal circular canopy options with power supply incorporated:

Not dimmable (CE Market): white or black surface-mounted canopy with matte finish.

Dimmable: white or black surface-mounted canopy with matte finish and power supply incorporated.

Electric cable length: 3 m / 118.1" - 8 m / 315"

Suitable for Junction Box (UL market).

Approximate weight (unpacked):

(A) HeadHat Plate S: 1,5 kg / 3 lb

(B) HeadHat Plate M: 1,9 kg / 4.2 lb

(C) HeadHat Plate L: 3 kg / 6.8 lb

HeadHat Plate

Santa & Cole Team. 2013
Pendant lamps

Technical information:

Light source included.
LED module

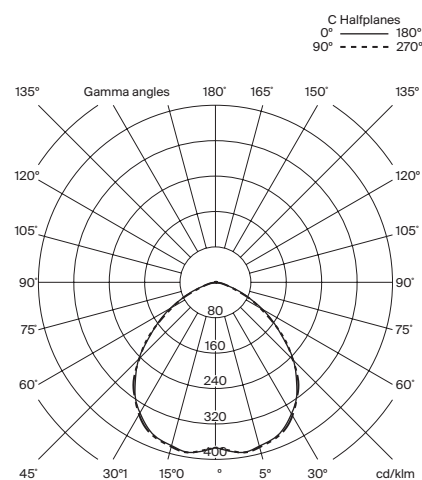
Not dimmable (CE market):
Rated input wattage: 3,7 W
Operating current: 350 mA
Luminous flux: 416 lm

Dimmable:
Rated input wattage: 7,7 W
Operating current: 700 mA
Luminous flux: 752 lm

Colour Temp.: 2.700 K
CRI: 90
Lifetime: 40.000 h

Built-in LED.
Suitable for dimming 1-10V. (Not included external dimmer switch 1-10V).
Energy efficiency class (E.E.C): A++... A.
Suitable only for indoor use.

Input voltage: 90 ~ 305 Vac.
(50 Hz / 60 Hz). According to destination.



Regulations:

CE
UNE-EN 60598
UNE-EN 55015
UNE-EN 62031
UNE-EN 61000-3-2
UNE-EN 60529
UNE-EN 61347-2-13

UL
Dry location only
UL-1598
UL-8750
E-336377

Maintenance:

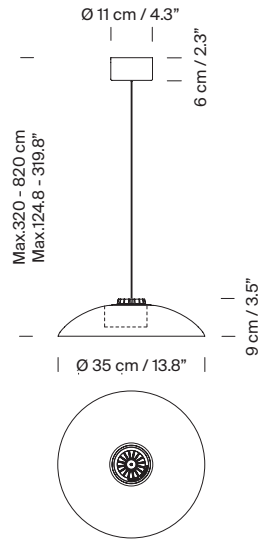
Clean with a smooth cloth. Do not use ammonia, solvents or abrasive cleaning products.

Others:

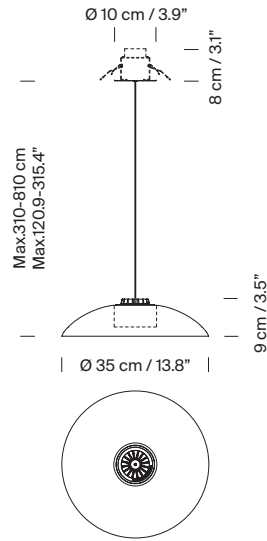
The lamp is delivered in different packages.
The assembly instructions are delivered with the product.

Model A: HeadHat Plate S

Surface canopy

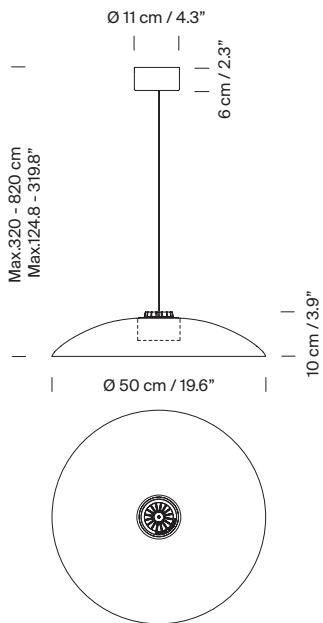


Built-in canopy (CE Market)

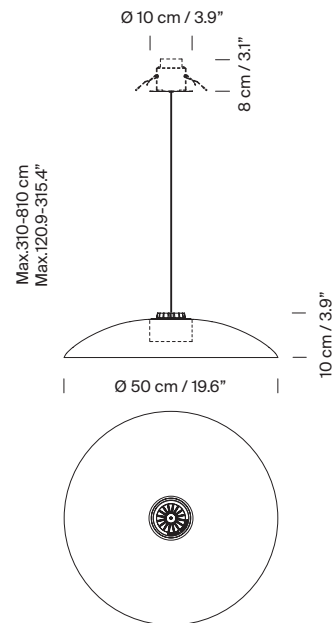


Model B: HeadHat Plate M

Surface canopy

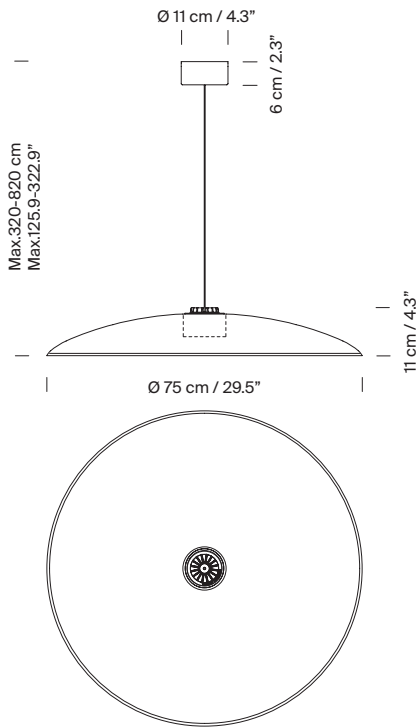


Built-in canopy (CE Market)

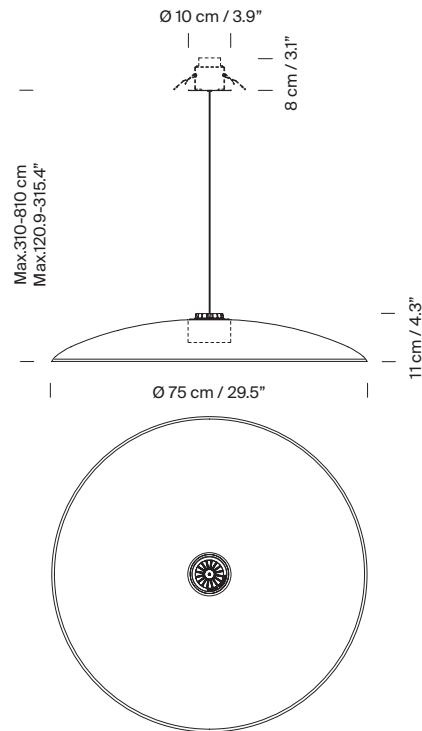


Model C: HeadHat Plate L

Surface canopy



Built-in canopy (CE Market)



Collection:
 Pendant lamps



HeadHat Bowl



HeadHat Plate