

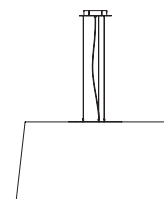
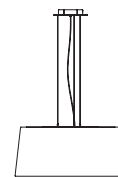
GT1000 / GT1500

Santa & Cole Team. 2011
Pendant lamps



GT1000

GT1500



A

B



The GT1000 and GT1500 are voluminous pendant lamps with ribbon shades, especially designed for projects with expansive spaces. Both lamps feature a large translucent disc that hides the powerful dimmable LED plate and pleasantly diffuses the light. Designed in 1994, the GT5 pendant lamp was the first of a large family created as an alternative to the use of cardboard, methacrylate, or solid textile shades; the use of handmade cotton ribbon reincorporates traditional craftsmanship. Then came the GT6, followed by the large format GT7, GT1000 and GT1500 designed for public spaces.

Each shade is handmade, as Santa & Cole continues to favour the use of ribbon shades to dress up every kind of light sources. In our search for the perfect hues, we collaborated with the studio Raw Color in Eindhoven (Holland) to create new ribbons. Each woven from three distinct yarns that created new colours: terracotta, mustard yellow and forest green. The three basic colours in the ribbon collection, natural white, amber red and black (available since 1994), complete the range of six colours available.

This is a colourful family that varies in size without altering its essence, creating rich luminous tones. With the light on, the shade provides a warm light, rich in nuances. With the light off, this lamp is a sculptural statement piece that enhances the room.

General description:

Capsule with LED module, translucent white diffuser and heat sink with matte black finish.
Natural, red-amber or black ribbon lampshade and terracotta, mustard or green Raw Color ribbon.
Black metallic circular canopy.

Lampshades:

(A): upper Ø 90 cm / 35.4" x lower Ø 100 cm / 39.3" x h. 44 cm / 17.3".

Lower disk in white translucent PVC: Ø 83 cm. / 32.7".

(B): upper Ø 133 cm / 7.5" x lower Ø 150 cm / 59.1" x h. 74 cm / 29.1".

Lower disk in white translucent PVC: Ø 125 cm / 49.2".

Electric cable length: 8 m / 315"

Suitable for Junction Box (UL market).



Approximate weight (unpacked):

(A) GT1000: 12 Kg / 26.5 lb

(B) GT1500: 17 Kg / 37.5 lb

Technical information:

Light source included (dimmable).

Module of 64 LEDs

Rated input wattage: 78 W

Operating current: 1.400 mA

Colour Temp.: 2.700 K

CRI: 90

Lifetime: 40.000 h

Luminous flux: 6.340 lm

Built-in adjustable LED.

Suitable for dimming 0-10V. (Not included external dimmer switch 0-10V).

Energy efficiency class (E.E.C): A++... A.

Suitable only for indoor use.

Always use this light source.

Input voltage : 100 ~ 277 Vac.

(50 Hz / 60 Hz). According to destination.

GT1000 / GT1500

Santa & Cole Team. 2011
Pendant lamps

Regulations:

CE
UNE-EN 60598
UNE-EN 55015
UNE-EN 62031
UNE-EN 61000-3-2
UNE-EN 60529
UNE-EN 61347-2-13

UL

Dry location only
UL-1598
UL-8750
E-336377

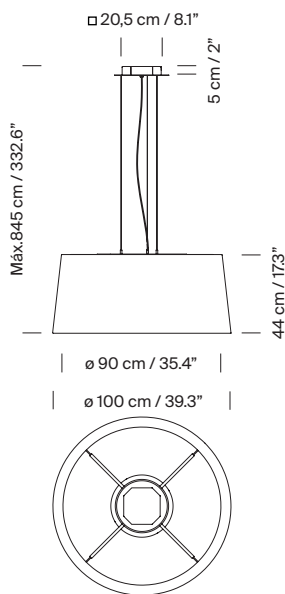
Maintenance:

Clean with a smooth cloth. Do not use ammonia, solvents or abrasive cleaning products.

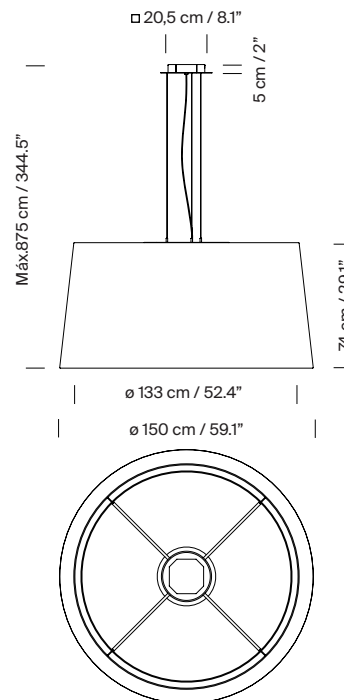
Others:

The lamp is delivered in different packages.
The assembly instructions are delivered with the product.

Model A: GT1000



Model A: GT1500



Collection:

Table lamps



Tripode M3 / G6

Floor lamps



Tripode G5

Pendant lamps



GT5 / GT6



GT7



GT1000 / GT15000

Wall lamps



Comodín