

Cirio Cuadrada

Antoni Arola. 2025

Pendant lamp



Lampshades



White porcelain



White Pana porcelain



White opal glass



Polished brass



Cirio Cuadrada introduces a new geometry to the Cirio family. In contrast to the circular forms and continuous lines of the other pieces, its defined edges give it a contemporary, clearly articulated character, while preserving the ceremonial nature of the series. Compact and non-scalable in format, it is ideal for geometric surfaces as well as for vertical arrangements.

General description:

Capsule with LED module, translucent white diffuser and heat sink with black matte finish.

4 lampshade options: white porcelain, white Pana porcelain, white opal glass and polished brass.

Matte black aluminum rectangular structure for 12 lampshades.

Matte black metallic rectangular canopy included with power supply incorporated.

Suitable for Junction Box (American version).

Electric cable length: 5 m / 196.9"

Approximate weight (unpacked):

5,6 Kg / 12.3 lb

Lampshades:

Porcelain: 0,5 kg / 1.1 lb

Pana porcelain: 0,4 kg / 0.8 lb

Glass: 0,6 kg / 1.3 lb

Brass: 0,3 Kg / 0.7 lb

Technical information:

Light source included (dimnable)

Capsule with LED module

Rated input wattage (LED capsule): 11 W

Rated input wattage: 109 W

Operating current: 700 mA

CCT: 2.700 K

CRI: 90

Lifetime: 40.000 h

Luminous flux:

Porcelain 2.664 lm

Pana porcelain 3.684 lm

Glass 7.872 lm

Brass 2.844 lm

European version: suitable for dimming 1-10V / DALI. Not included external dimmer switch 1-10V / DALI.

American version: suitable for dimming 1-10V.

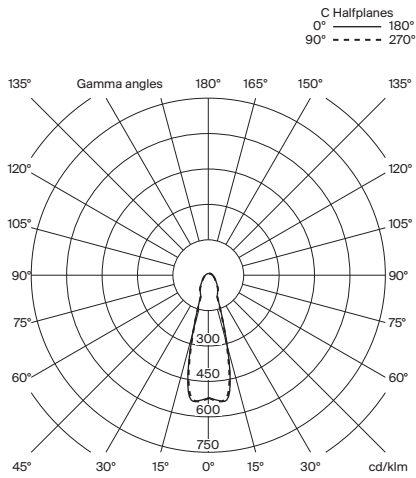
Not included external dimmer switch 1-10V.

Suitable only for indoor use.

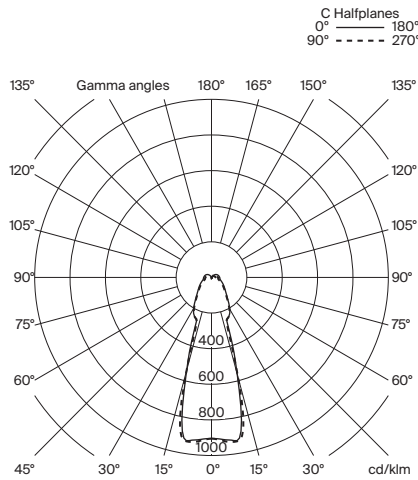
Always use this light source.

Input voltage: 120 ~ 277 Vac.
(50 Hz / 60 Hz). According to destination.

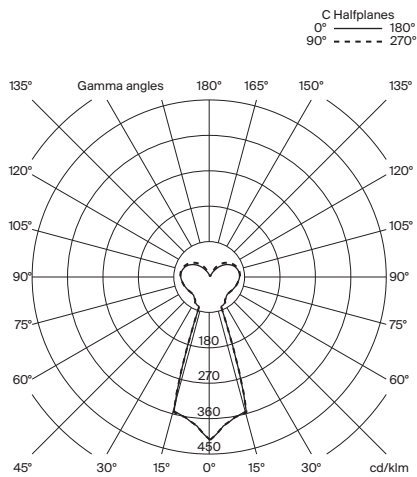
White porcelain lampshade



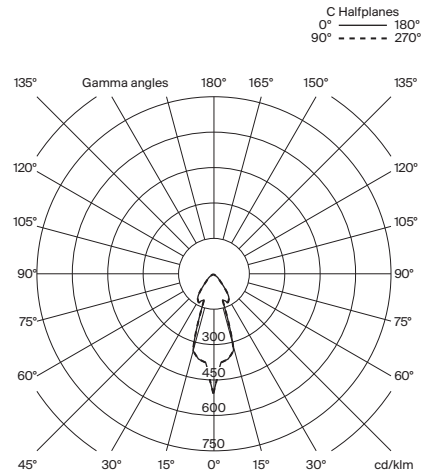
White Pana porcelain lampshade



White opal glass lampshade



Brass lampshade



Regulations:

European version
 UNE-EN 60598
 UNE-EN 55015
 UNE-EN 62031
 UNE-EN 61000-3-2
 UNE-EN 60529
 UNE-EN 61347-2-13

American version
 UL-1597
 UL-8750
 E-336377

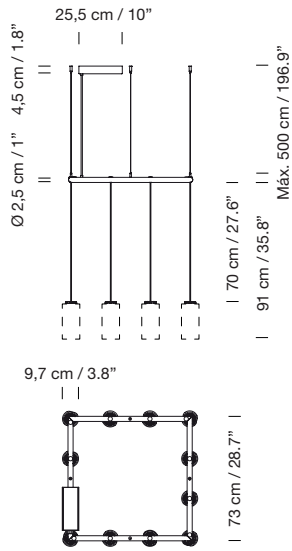
Maintenance:

Clean with a smooth cloth. Do not use ammonia, solvents or abrasive cleaning products.

Others:

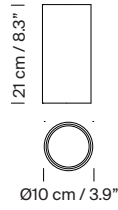
The lamp is delivered in different packages.
 The assembly instructions are delivered with the product.

Model:

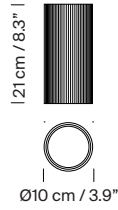


Lampshades:

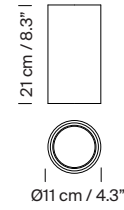
White porcelain



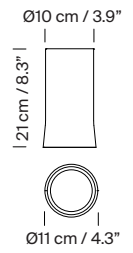
White Pana porcelain



White opal glass



Brass



Codes / European Version

Lampshade	Dimming	Code
White porcelain	1-10V	CIMPA01
	DALI	CIMPA01D
White Pana porcelain	1-10V	CIMPA04
	DALI	CIMPA04D
Vidrio blanco opal	1-10V	CIMPA02
	DALI	CIMPA02D
Brass	1-10V	CIMPA03
	DALI	CIMPA03D

Codes / American Version

Lampshade	Dimming	Code
White porcelain	1-10V	CIMPA01UL
White Pana porcelain	1-10V	CIMPA04UL
White opal glass	1-10V	CIMPA02UL
Brass	1-10V	CIMPA03UL

Collection:

Pendant lamps



Cirio Simple



Cirio Múltiple



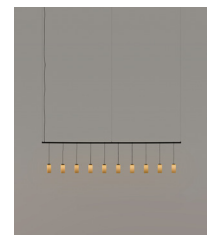
Cirio Cascada



Cirio Circular



Cirio Chandelier



Cirio Lineal

Wall lamps



Cirio Cuadrada



Cirio Pana



Cirio