

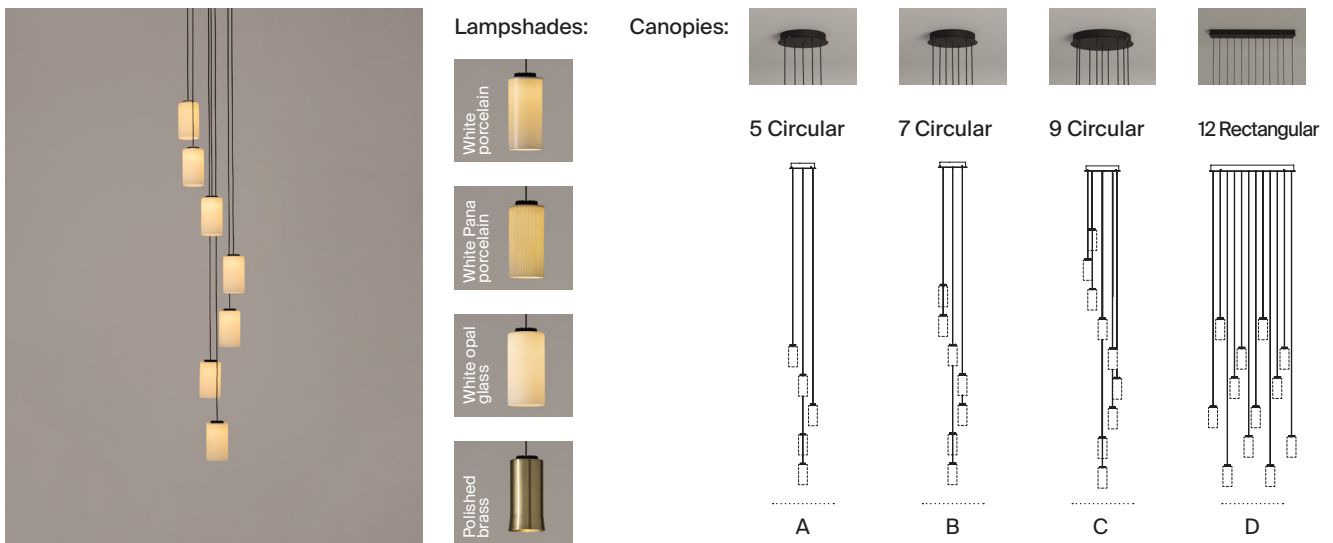
Cirio Cascada

Antoni Arola. 2017

Pendant lamps



SANTA & COLE



Cirio Cascada features a compact, ornamental design. This shimmering cascade of light lends a warm atmosphere to large spaces; ideal for staircases and high ceilings of different heights.

Cirio is a system that provides customisable solutions for vertical lighting by combining structures, shades and light textures. The pendant lamp can be used alone or arranged in rows or clusters to illuminate larger areas, in forms such as the Chandelier, Cascada, Circular, Lineal, Oval or Múltiple. A perfect combination of repeated elements. The fusion of technology and tradition; innovation through craftsmanship. A truly unique lighting experience.

General description:

Capsule with LED module, translucent white diffuser and heat sink with black matte finish.

4 lampshade options: white porcelain, white Pana porcelain, white opal glass and polished brass.

Matte black metal canopies family (3 circular options and 1 rectangular) with integrated equipment:

(A) Ø32 cm / 12.6" for 5 lampshades.

(B) Ø32 cm / 12.6" for 7 lampshades.

(C) Ø40 cm / 15.8" for 9 lampshades.

(D) 96 cm x 32 cm / 37.8" x 12.6" for 12 lampshades.

Suitable for Junction Box (American version).

Electric cable length: 3 m / 118.1" - 8 m / 315"

Approximate weight (unpacked):

(A) 5 Circular*:

3 m: 7 Kg / 15.5 lb

8 m: 8 Kg / 17.6 lb

(B) 7 Circular*:

3 m: 9 Kg / 19.8 lb

8 m: 10 Kg / 22 lb

(C) 9 Circular*:

3 m: 12 Kg / 26.5 lb

8 m: 14 Kg / 30.9 lb

(D) 12 Rectangular*:

3 m: 18 Kg / 39.7 lb

8 m: 20 Kg / 44 lb

Lampshades:

Porcelain: 0,5 kg / 1.1 lb

Pana porcelain: 0,4 kg / 0.8 lb

Glass: 0,6 kg / 1.3 lb

Brass: 0,3 Kg / 0.7 lb

*Weight with porcelain lampshade

Cirio Cascada

Antoni Arola. 2017
Pendant lamps

Technical information:

Dimmable light source included
Capsule with LED module

Rated input wattage (LED capsule): 11 W
Operating current: 700 mA
CCT: 2.700 K
CRI: 90
Lifetime: 40.000 h

(A)

Rated input wattage: 47 W
Luminous flux:
Porcelain 1.110 lm
Pana Porcelain 1.535 lm
Glass 3.280 lm
Brass 1.185 lm

(B)

Rated input wattage: 66,5 W
Luminous flux:
Porcelain 1.554 lm
Pana Porcelain 2.149 lm
Glass 4.592 lm
Brass 1.659 lm

(C)

Rated input wattage: 83 W
Luminous flux:
Porcelain 1.998 lm
Pana Porcelain 2.763 lm
Glass 5.904 lm
Brass 2.133 lm

(D)

Rated input wattage: 109 W
Luminous flux:
Porcelain 2.664 lm
Pana Porcelain 3.684 lm
Glass 7.872 lm
Brass 2.844 lm

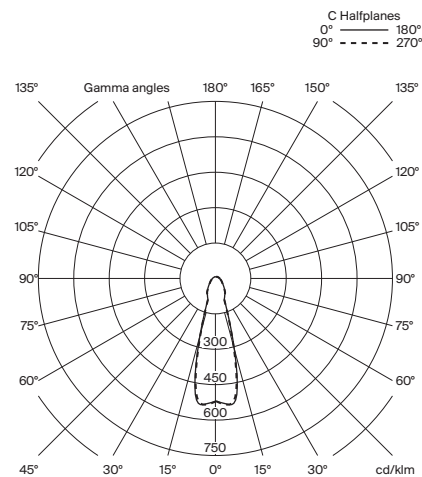
European version: suitable for dimming 1-10V / DALI. Not included external dimmer switch 1-10V / DALI.

American version: suitable for dimming 1-10V. Not included external dimmer switch 1-10V.

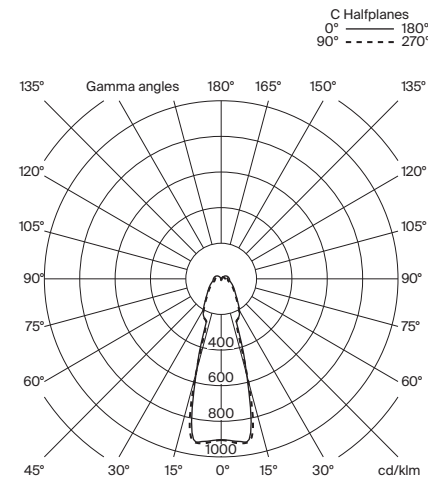
Suitable only for indoor use.
Always use this light source.

Input voltage: 120 ~ 277 Vac.
(50 Hz / 60 Hz). According to destination.

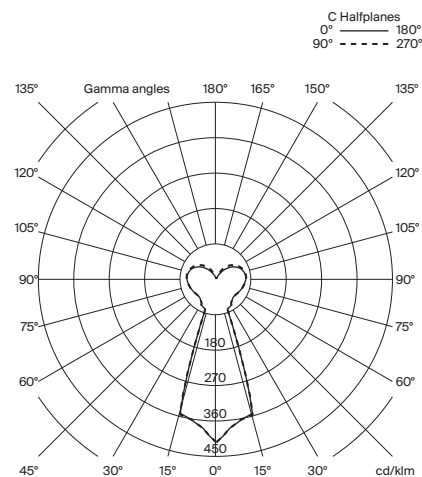
White porcelain lampshade



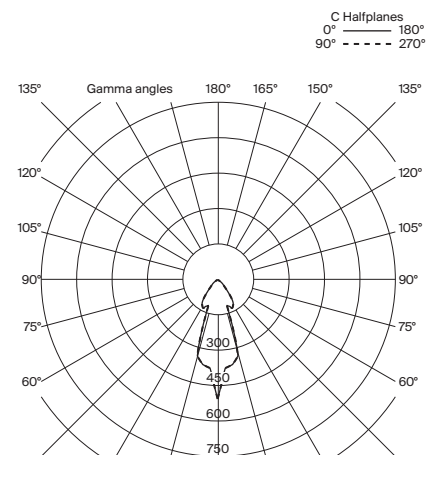
White Pana porcelain lampshade



White opal glass lampshade



Brass lampshade



Cirio Cascada

Antoni Arola. 2017
Pendant lamps

Regulations:

European version
UNE-EN 60598
UNE-EN 55015
UNE-EN 62031
UNE-EN 61000-3-2
UNE-EN 60529
UNE-EN 61347-2-13

American version
Dry and damp location
UL-1598
UL-8750
E-336377

Maintenance:

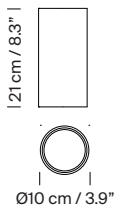
Clean with a smooth cloth. Do not use ammonia, solvents or abrasive cleaning products.

Others:

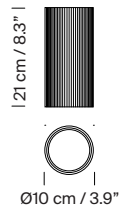
The lamp is delivered in different packages.
The assembly instructions are delivered with the product.

Model: Lampshades

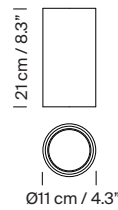
White porcelain



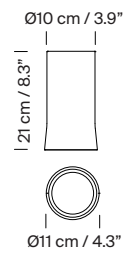
White Pana porcelain



White opal glass

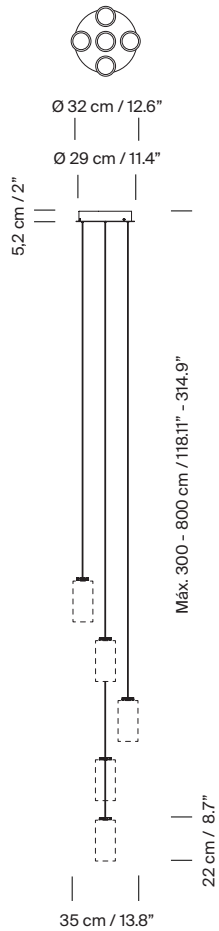


Brass

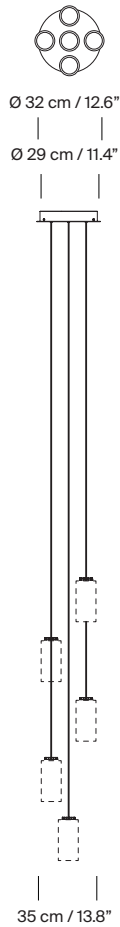


Model / Codes: Cirio Cascada 5

Spiral composition



Random composition



Codes / European Version

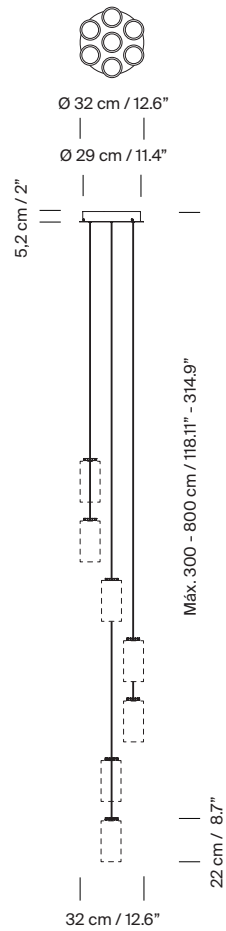
LED capsule	Dimming	Lampshade			
		White porcelain	Pana white porcelain	White opal glass	Polished brass
3 m / 118.1"	1-10 V	CICPA01	CICPA07	CICPA03	CICPA05
	DALI	CICPA01D	CICPA07D	CICPA03D	CICPA05D
8 m / 315"	1-10 V	CICPA02	CICPA08	CICPA04	CICPA06
	DALI	CICPA02D	CICPA08D	CICPA04D	CICPA06D

Codes / American Version

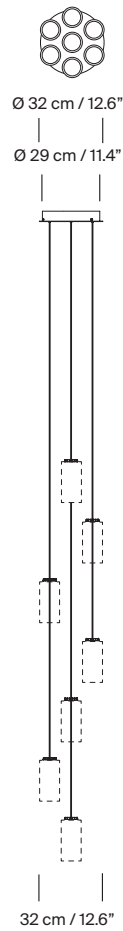
LED capsule	Dimming	Lampshade			
		White porcelain	Pana white porcelain	White opal glass	Polished brass
3 m / 118.1"	1-10 V	CICPA01UL	CICPA07UL	CICPA03UL	CICPA05UL
8 m / 315"	1-10 V	CICPA02UL	CICPA08UL	CICPA04UL	CICPA06UL

Model / Codes: Cirio Cascada 7

Spiral composition



Random composition



Codes / European Version

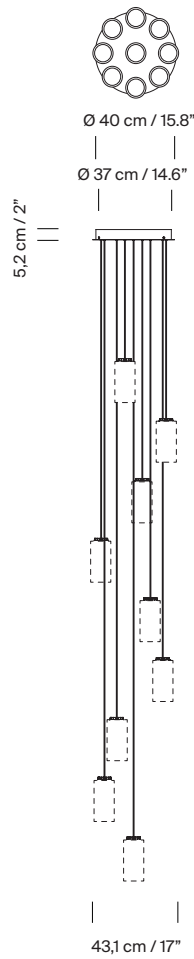
LED capsule	Dimming	Lampshade			
		White porcelain	Pana white porcelain	White opal glass	Polished brass
3 m / 118.1"	1-10 V	CICPB01	CICPB07	CICPB03	CICPB05
	DALI	CICPB01D	CICPB07D	CICPB03D	CICPB05D
8 m / 315"	1-10 V	CICPB02	CICPB08	CICPB04	CICPB06
	DALI	CICPB02D	CICPB08D	CICPB04D	CICPB06D

Codes / American Version

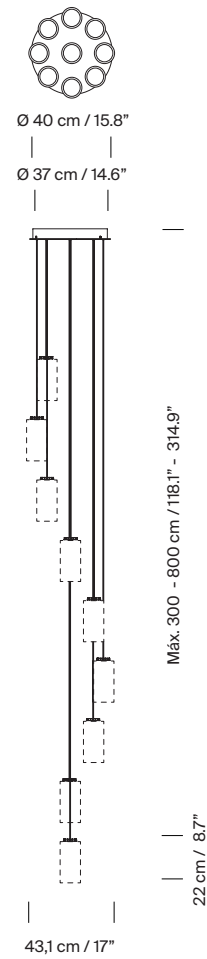
LED capsule	Dimming	Lampshade			
		White porcelain	Pana white porcelain	White opal glass	Polished brass
3 m / 118.1"	1-10 V	CICPB01UL	CICPB07UL	CICPB03UL	CICPB05UL
8 m / 315"	1-10 V	CICPB02UL	CICPB08UL	CICPB04UL	CICPB06UL

Model / Codes: Cirio Cascada 9

Spiral composition



Random composition



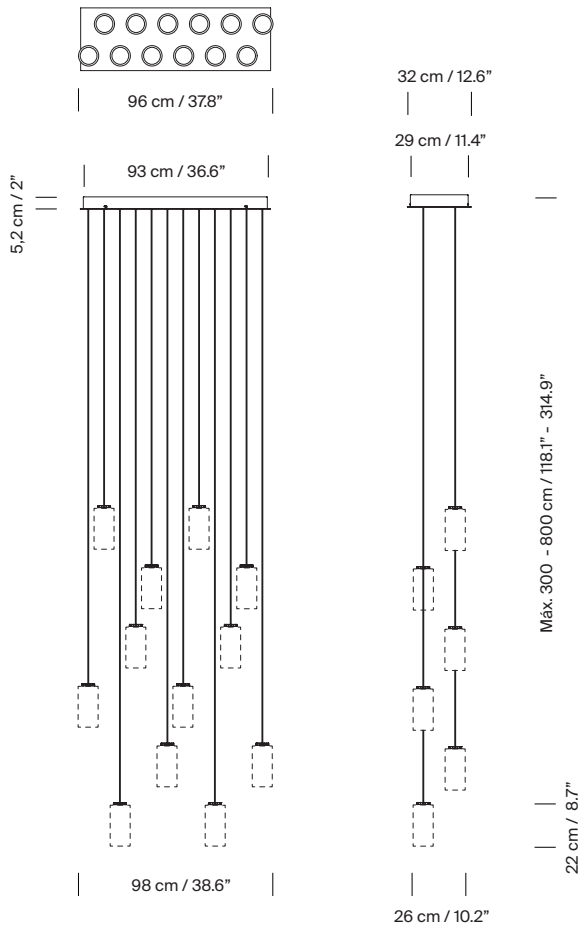
Codes / European Version

LED capsule	Dimming	Lampshade			
		White porcelain	Pana white porcelain	White opal glass	Polished brass
3 m / 118.1"	1-10 V	CICPC01	CICPC07	CICPC03	CICPC05
	DALI	CICPC01D	CICPC07D	CICPC03D	CICPC05D
8 m / 315"	1-10 V	CICPC02	CICPC08	CICPC04	CICPC06
	DALI	CICPC02D	CICPC08D	CICPC04D	CICPC06D

Codes / American Version

LED capsule	Dimming	Lampshade			
		White porcelain	Pana white porcelain	White opal glass	Polished brass
3 m / 118.1"	1-10 V	CICPC01UL	CICPC07UL	CICPC03UL	CICPC05UL
8 m / 315"	1-10 V	CICPC02UL	CICPC08UL	CICPC04UL	CICPC06UL

Model / Codes: Cirio Cascada 12



Codes / European Version

LED capsule	Dimming	Lampshade			
		White porcelain	Pana white porcelain	White opal glass	Polished brass
3 m / 118.1"	1-10 V	CICPD01	CICPD07	CICPD03	CICPD05
	DALI	CICPD01D	CICPD07D	CICPD03D	CICPD05D
8 m / 315"	1-10 V	CICPD02	CICPD08	CICPD04	CICPD06
	DALI	CICPD02D	CICPD08D	CICPD04D	CICPD06D

Codes / American Version

LED capsule	Dimming	Lampshade			
		White porcelain	Pana white porcelain	White opal glass	Polished brass
3 m / 118.1"	1-10 V	CICPD01UL	CICPD07UL	CICPD03UL	CICPD05UL
8 m / 315"	1-10 V	CICPD02UL	CICPD08UL	CICPD04UL	CICPD06UL

Cirio Cascada

Antoni Arola. 2017
Pendant lamps

Collection: Pendant lamps



Cirio Simple



Cirio Múltiple



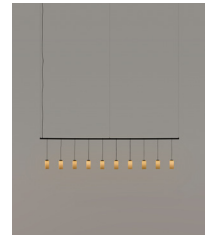
Cirio Cascada



Cirio Circular



Cirio Chandelier



Cirio Lineal

Wall lamps



Cirio Cuadrada



Cirio Pana



Cirio