

Cirio Simple

Antoni Arola. 2010
Pendant lamp



Lampshades:



Canopy:



Cirio Simple comprises a canopy from which a capsule containing the LED light source hangs. It is a design that highlights room corners with utmost efficiency.

Cirio is a system that provides customisable solutions for vertical lighting by combining structures, shades and light textures. The pendant lamp can be used alone or arranged in rows or clusters to illuminate larger areas, in forms such as the Chandelier, Cascada, Circular, Lineal, Oval or Múltiple. A perfect combination of repeated elements. The fusion of technology and tradition; innovation through craftsmanship. A truly unique lighting experience.

General description:

Capsule with LED module, translucent white diffuser and heat sink with black matte finish.

3 lampshade options: white porcelain, white opal glass and polished brass.

5 metal circular canopy options with power supply incorporated:

Not dimmable (European version): white recessed or white or black surface-mounted canopy with matte finish.

Dimmable (1-10 V / DALI): white or black surface-mounted canopy with matte finish.

S&C LED capsule suitable with HeadLed System lampshades.

Suitable for Junction Box (American version).

Electric cable length: 3 m / 118.1" - 8 m / 315"

Approximate weight (unpacked):

(Weight with porcelain lampshade): 1,1 Kg / 2.4 lb

Lampshades:

Porcelain: 0,5 Kg / 1.1 lb

Brass: 0,6 Kg / 1.3 lb

White opal glass: 0,3 Kg / 0.7 lb

Light source:

Light source included

Module of 4 LEDs

Not dimmable (European version):

Power system: 3,7 W

Operating current: 350 mA

CCT: 2.700 K

CRI: 90

Lifetime: 40.000 h

Luminous flux: 416 lm

Dimmable:

Power system: 7,7 W

Operating current: 700 mA

CCT: 2.700 K

CRI: 90

Lifetime: 40.000 h

Luminous flux: 752 lm

Cirio Simple

Antoni Arola. 2010
Pendant lamp

Built-in LED.

European version: Suitable for dimming 1-10V / DALI. Not included external dimmer switch 1-10V / DALI.

American version: Suitable for dimming 1-10V. Not included external dimmer switch 1-10V.

Suitable only for indoor use.

Always use this light source.

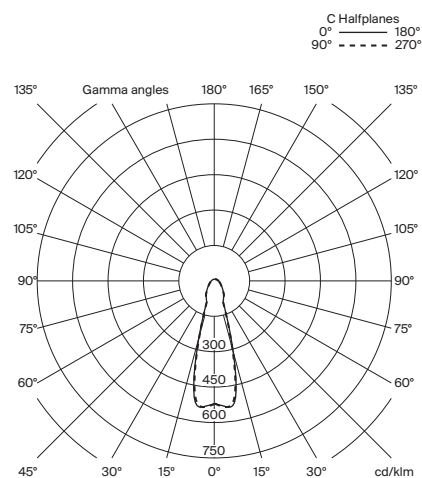
Input voltaje : 90 ~ 305 Vac.

(50 Hz / 60 Hz). According to destination.

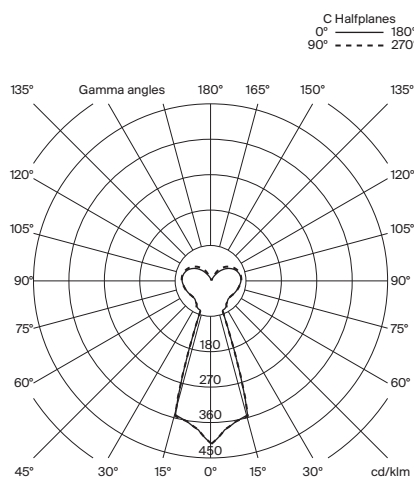
Luminous performance with lampshade:

- White porcelain: 29%
- Polished brass: 29.3%
- White opal glass: 87%

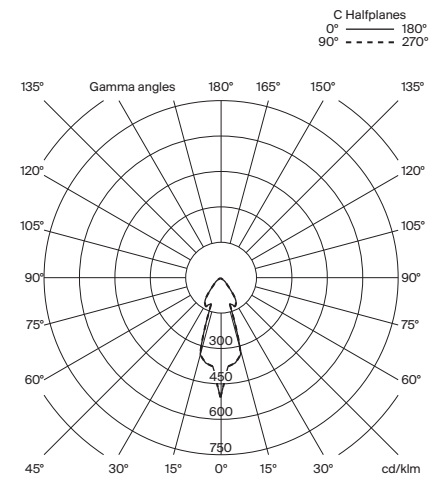
White porcelain lampshade



White opal glass lampshade



Brass lampshade



Regulations:

European version
UNE-EN 60598
UNE-EN 55015
UNE-EN 62031
UNE-EN 61000-3-2
UNE-EN 60529
UNE-EN 61347-2-13

American version
Dry and damp location
UL-1598
UL-8750
E-336377

Maintenance:

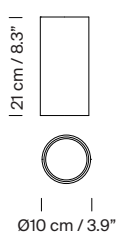
Clean with a smooth cloth. Do not use ammonia, solvents or abrasive cleaning products.

Others:

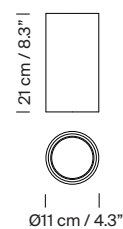
The lamp is delivered in different packages.
The assembly instructions are delivered with the product.

Lampshades

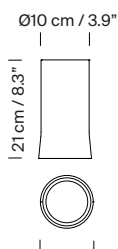
White porcelain



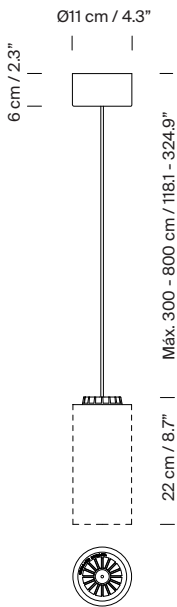
White opal glass



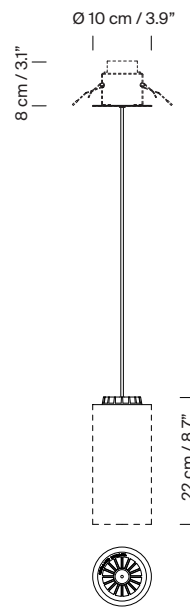
Polished brass



Model: Surface canopy



Model: Built-in canopy (only European version)



Collection:
 Pendant lamps



Cirio Simple



Cirio Múltiple



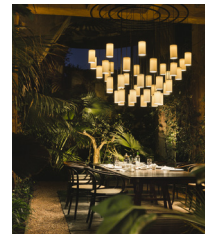
Cirio Cascada



Cirio Circular



Cirio Lineal



Cirio Chandelier

Wall lamps



Cirio