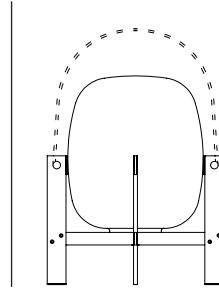




Cesta Metálica

Miguel Milá, 1962

Table lamp



This is an enhanced rendering of the metal version of the Cesta and has its own specific features. It comes with or without a leather handle, the smooth feel of which stands in stark contrast to the stern rigidity of the bars that gently house the opal-shaped globe that lacks an opening on top. A blend of the firm and the fragile.

GENERAL DESCRIPTION

Stainless steel structure.

White opal glass lampshade.

Available with or without natural colour leather handle.

Electric cable length: 2,25 m / 88.6"

LIGHT SOURCE

Recommended light sources (adjustable):

LED bulb: 10 W

Compact fluorescent: 20 W

Incandescent: Max. 60 W

E27 - E26

(Max. hgt. 130 mm / 5.1")

Light source not included.

Dimmer included.

Compatible with bulbs of the Energy efficiency class (E.E.C): A++... E.

Suitable only for indoor use.

Always use the light source recommended or equivalent.

Input voltaje : 100, 120, 230 Vac.

(50 Hz / 60 Hz). According to destination.

APPROXIMATE WEIGHT (unpacked)

Without leather: 5,1 kg / 11.24 lb

With leather: 5,2 kg / 11.46 lb



SANTA & COLE

REGULATIONS

CE



IP 20

UNE-EN 60598

UNE-EN 55015

UNE-EN 60529



Non-class 2

Dry location only

UL-153

E-352592

MAINTENANCE

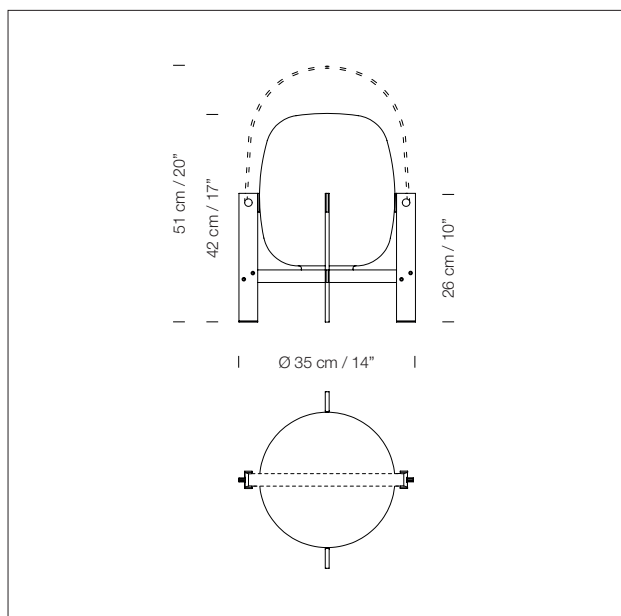
Clean with a smooth cloth. Do not use ammonia, solvents or abrasive cleaning products

OTHERS

The lamp are delivered in one package.

The assembly instructions are delivered with the product.

MODEL



COLLECTION

Table lamps



Cesta



Cestita



Cesta Metálica



Cestita Metálica

Wall lamps



Wally