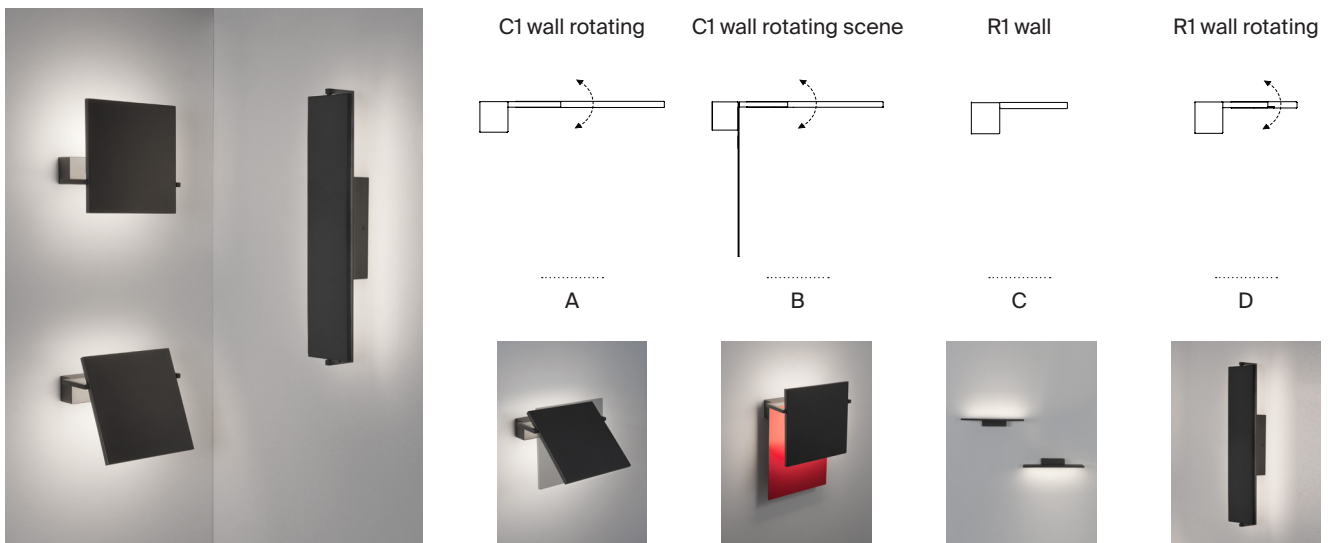


## BlancoWhite C1 / R1

Antoni Arola. 2013  
Wall lamp

  
SANTA & COLE



In 2011, Antoni Arola designed the BlancoWhite family, combining smart LED lighting with minimalist, clean lines. A series of tabletop bookcases, luminous shelves, hallway wall lights and ultra-thin pendant lights, all designed to accentuate everyday objects, or to accompany the conversation at the table.

This collection of wall lamps features a thin LED plate in two formats, square or rectangular, either fixed or pivoting. The C1 lamp has the option of a red metal back plate (available in other colours) that shades the light and can serve as a bracket for a room or toilet sign. A 1 cm-thick metallic structure (white or graphite matte finish) houses a smart LED plate (using a Dot Cutting system) that distributes dots across the light surface. The dots become gradually more concave the further they are from the source, creating a harmonious light flow.

### General description:

Graphite metal structure with matte finish with power supply incorporated.

(B) Wall Scene red sheet.

(A / B / D) Rotating head.

Suitable for Outlet Box (UL market).

### Approximate weight (unpacked):

(A) C1 wall rotating: 2 Kg / 4.4 lb

(B) C1 Wall rotating scene: 2 Kg / 4.4 lb

(C) R1 wall: 1,9 kg / 4.1 lb

(D) R1 wall rotating: 2,2 kg / 4.8 lb

### Technical information:

Light source included (dimmable)

Built-in dimmable LED

Rated input wattage: (A/B) 8 W / (C/D) 10 W

Operating voltage: 12 VDC

Colour Temp.: 3.000 K

CRI: 85

Lifetime: 40.000 h

Luminous flux: (A/B) 288 lm / (C/D) 360 lm

Energy efficiency class (E.E.C): A++...A

Suitable only for indoor use.

Always use this light source.

Input voltage: 90 ~ 264 Vac.

(50 Hz / 60 Hz). According to destination.

# BlancoWhite C1 / R1

Antoni Arola. 2013  
Wall lamp

## Regulations:

CE  
UNE-EN 60598  
UNE-EN 55015  
UNE-EN 62031  
UNE-EN 61000-3-2  
UNE-EN 60529  
UNE-EN 61347-2-13

UL  
Dry location only  
UL-1598  
UL-8750  
UL-336377

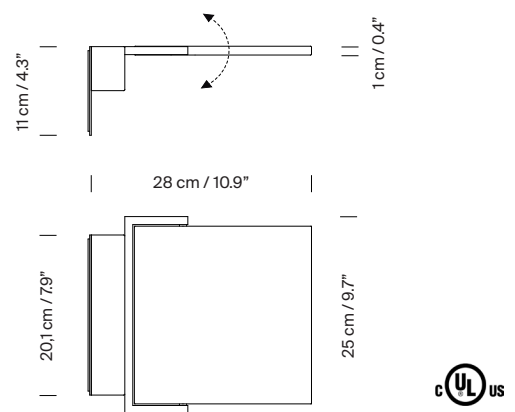
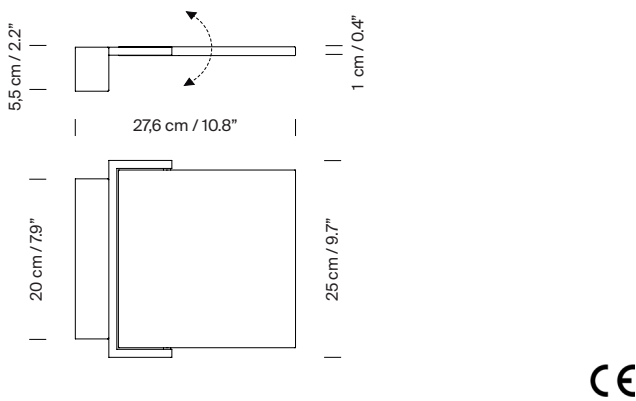
## Maintenance:

Clean with a smooth cloth. Do not use ammonia, solvents or abrasive cleaning products.

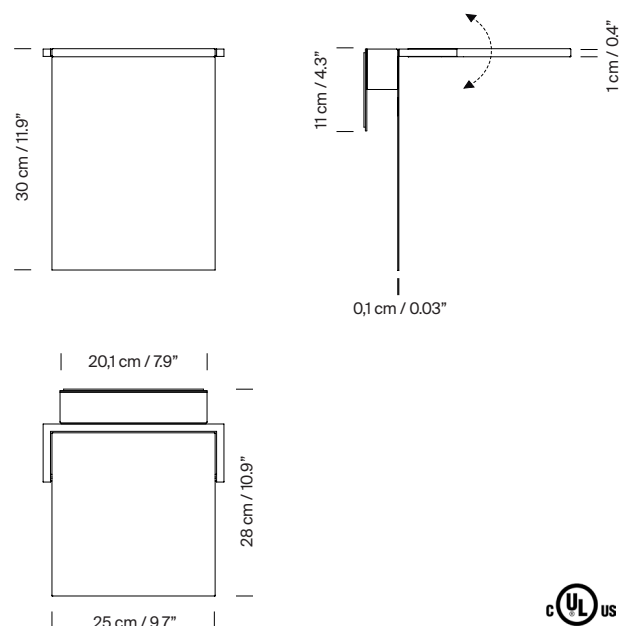
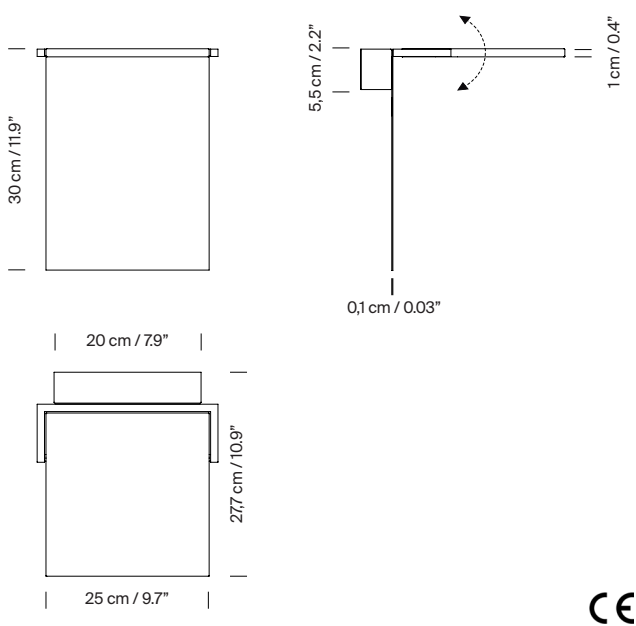
## Others:

The lamp is delivered in one package.  
The assembly instructions are delivered with the product.

### Model A: C1 wall rotating



### Model B: C1 wall rotating scene

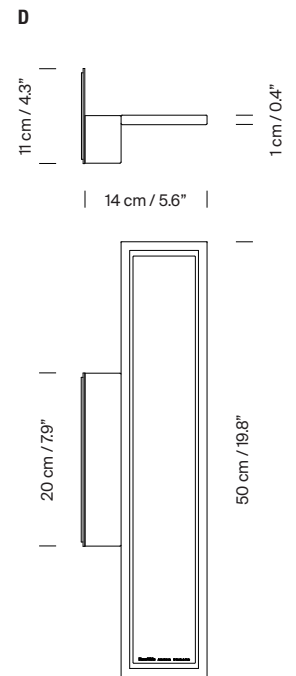
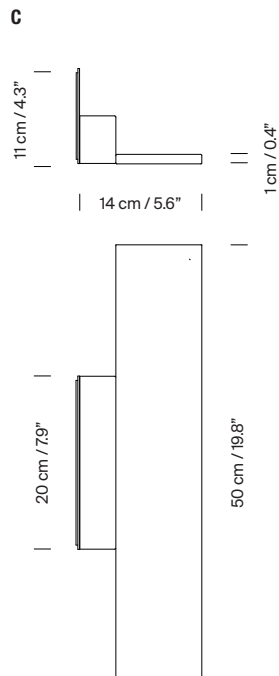
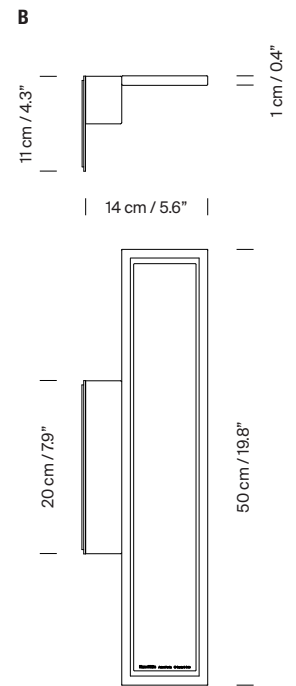
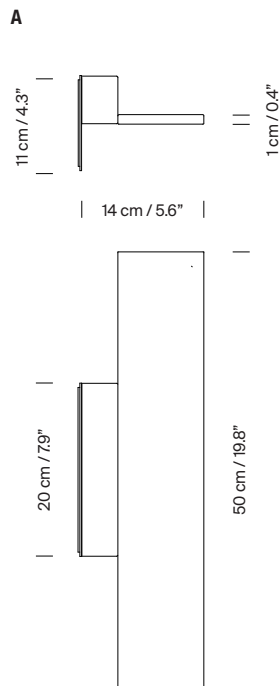
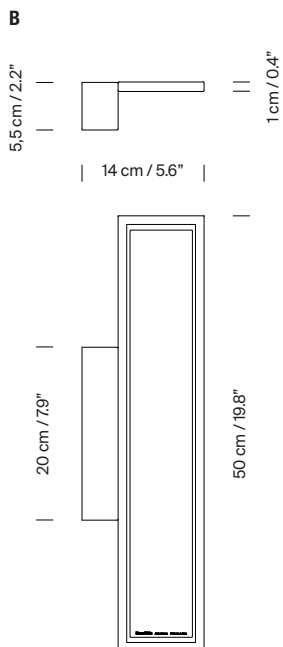
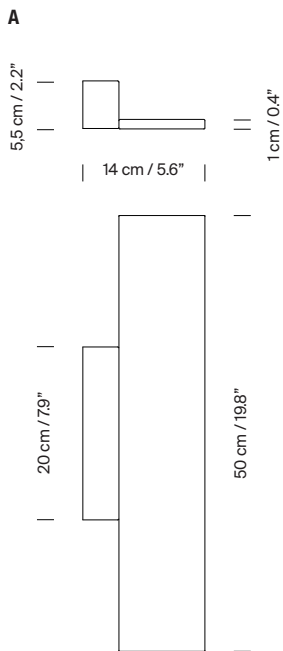


# BlancoWhite C1 / R1

Antoni Arola. 2013  
Wall lamp

**Model C:** R1 wall  
CE market: 2 installation options

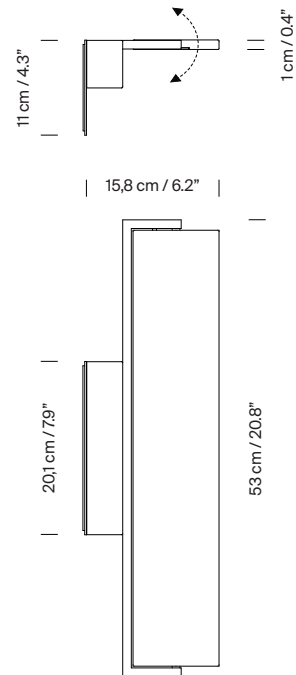
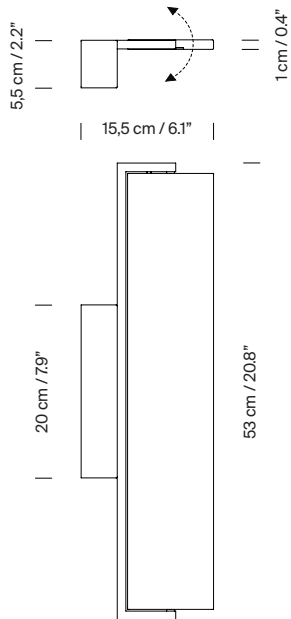
UL market: 4 installation options



# BlancoWhite C1 / R1

Antoni Arola. 2013  
Wall lamp

## Model D: R1 wall rotating



## Collection:

### Table lamps



BlancoWhite C1/R3

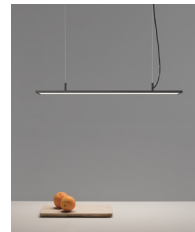


BlancoWhite  
R1 Rotating

### Pendant lamps



BlancoWhite D1/D2

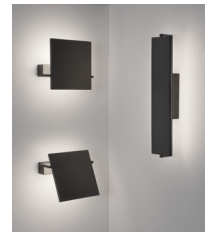


BlancoWhite R3



BlancoWhite  
Golden Gate

### Wall lamps



BlancoWhite C1/R1