

# NIMBA 90 / 120 Xenon

## Hanging fixture

1997

### GENERAL DESCRIPTION

ADI FAD Selection 1997

Made up of a suspended circular metal profile with the audacity of a white inner shade, it owes its name to being "like the nimbus or aureole of holy images, which may be seen, but are not there". Its author, Antoni Arola, gets it just right when transforming an originally linear lighting system (Agabekov), designed for architectural lighting, into an extremely subtle, almost celestial indoor lamp offering an extensive, non-aggressive luminous radiation.

### APPROXIMATE WEIGHT (unpacked)

(1) Nimba 90 Xenon	14 Kg / 31 lb
(2) Nimba 120 Xenon	26 Kg / 57 lb

### TECHNICAL CHARACTERISTICS

Light source:

(1)	
Wattage	408W (48x8.5W)
Colour temperature	2500-2700 K
Luminous flux	2197 lm
Working life	>20,000 h

(3)	
Wattage	578W (68x8.5W)
Colour temperature	2500-2700 K
Luminous flux	3098 lm
Working life	>20,000 h

EUROPE ( Voltage )	AC	230 Vac	50 Hz
USA / CANADA / JAPAN ( Voltage )	AC	110-128 Vac	60 Hz

Light source included.  
Fixture only suitable for indoor use.

### STRUCTURE and CEILING ROSETTE

Stainless steel structure.  
Black metallic circular ceiling rosette with power supply.

### LAMPSHADE

White technical of polymer lampshade.

### MAINTENANCE

Clean with a smooth cloth. Do not use ammonia products, solvents, abrasives, etc.

### OTHERS

The maximum electric wire length between the structure and ceiling rosette: 5 m / 196,8".  
The fixture are delivered in different packets.  
The assembly instructions are delivered with the product.



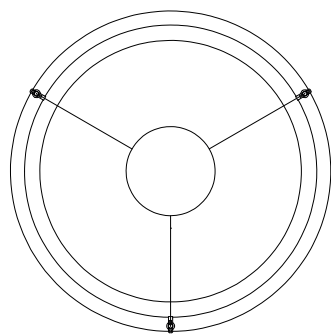
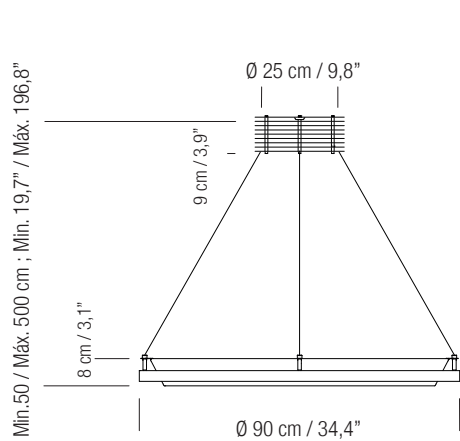
### Regulations

IP 20   

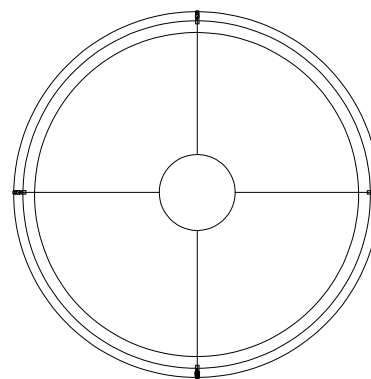
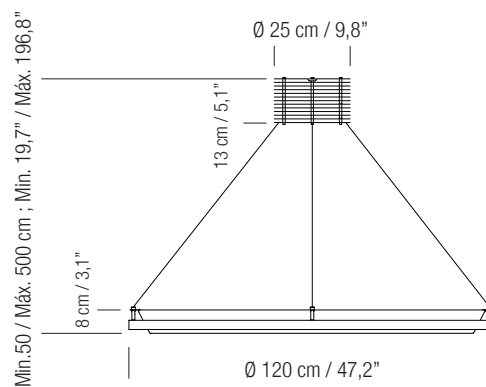
UNE-EN 60598 ; UNE-EN 55015



# NIMBA 90 / 120 Xenon



1. NIMBA 90 XENON



2. NIMBA 120 XENON