

NIMBA 60/90/120/180 LED

Hanging fixture

2011

GENERAL DESCRIPTION

With all the advantages from the commercial success of its predecessor, the Nimba (1997), with which it shares a production system already greatly favoured by experience, we now incorporate plates with LEDs as an alternative lighting source. The Nimba LED integrates simplicity, high technology and efficiency in a seemingly effortless manner and without losing the magic of its preceding sister, or its soft, warm, light and just like her, "like the nimbus or aureole of holy images, it may be seen, but it is not there".

APPROXIMATE WEIGHT (unpacked)

(1) Nimba 60 LED	7 Kg / 15,4 lb
(2) Nimba 90 LED	9 Kg / 19.8 lb
(3) Nimba 120 LED	12 Kg / 26.5 lb
(4) Nimba 180 LED	16 Kg / 35.2 lb

TECHNICAL CHARACTERISTICS

Light source:

(1)

Wattage	45W
Voltage	24V DC
Colour temperature	2700 K
Luminous flux	1798 lm
Working life	>40,000 h
CRI (Typic)	85

(2)

Wattage	65W
Voltage	24V DC
Colour temperature	2700 K
Luminous flux	2540 lm
Working life	>40,000 h
CRI (Typic)	85

(3)

Wattage	95W
Voltage	24V DC
Colour temperature	2700 K
Luminous flux	3713 lm
Working life	>40,000 h
CRI (Typic)	85

(4)

Wattage	140W
Voltage	24V DC
Colour temperature	2700 K
Luminous flux	5550 lm
Working life	>40,000 h
CRI (Typic)	85

EUROPE (Voltage)	AC	230 Vac	50 Hz
USA / CANADA / JAPAN (Voltage)	AC	100-277 Vac	60 Hz

Adjustable light source included. Not include 1-10 V external dimmer.
 Fixture only suitable for indoor use.
 Always use the recommended light source.

STRUCTURE and CEILING ROSETTE

Stainless steel structure.
 Black metallic circular ceiling rosette with power supply.

LAMP SHADE

White technical of polymer lampshade.

MAINTENANCE

Clean with a smooth cloth. Do not use ammonia products, solvents, abrasives, etc.

OTHERS

The maximum electric wire length between the structure and ceiling rosette: 5 m / 196,8".
 The fixture are delivered in different packets.
 The assembly instructions are delivered with the product.



Regulations

IP 20

CE

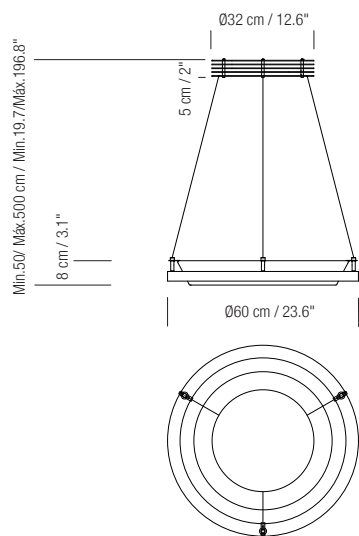
Class I UNE-EN 60598 ; UNE-EN 55015 ; UNE-EN 62031

(1,2,3) c us

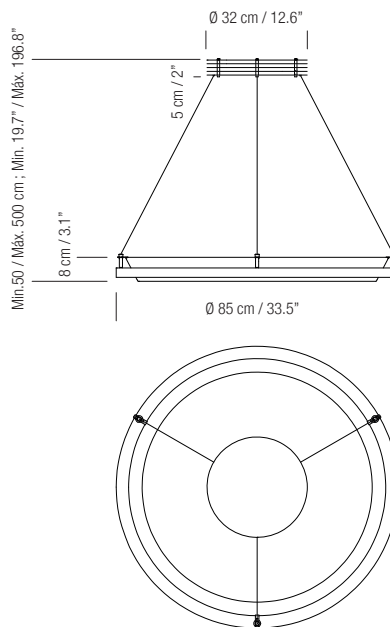
Class 2 UI - 1598 ; UI - 8750 E-336377



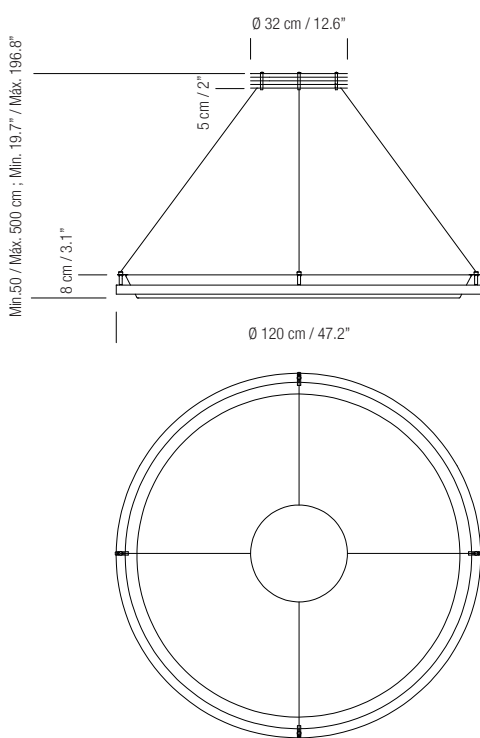
NIMBA 60/90/120/180 LED



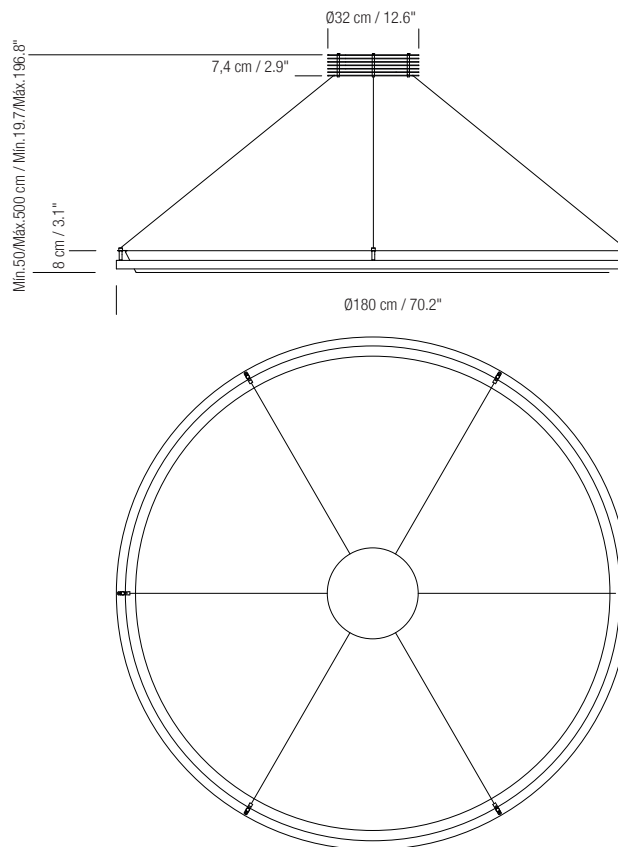
1. NIMBA 60 LED



2. NIMBA 90 LED



3. NIMBA 120 LED



4. NIMBA 180 LED