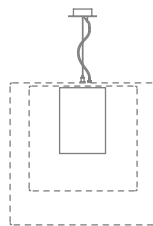


# Moaré

Antoni Arola

2003

Hanging lamp



The superimposed shades of Moaré cause an optical illusion of asymmetric waters, known as the Moiré effect. Created in 2003, the Moaré series has gradually taken on new formats, supports and colours, currently deploying numerous combinations to satisfy very different needs, from large commercial spaces to private domestic uses.

## GENERAL DESCRIPTION

Two superimposed cylindrical polyester lampshades.

With a range of sizes and colours (white, red, grey and black), numerous combinations are possible.

Acrylsatiné methacrylate cylindrical diffuser.

Metallic graphite black square ceiling plate.

Suitable for Outlet Box (UL Market)

Electric cable length: 3 m / 117"

## LIGHT SOURCE

Recommended light sources:

**3 x** LED bulb: 17 W

**3 x** Compact fluorescence: 20 W

**3 x** Incandescent: Max. 100 W

E27 - E26 (Max. hgt. 155 mm /

6.1")

Light source not included.

Lamp suitable only for indoor use.

Compatible with bulbs of the Energy efficiency Class (E.E.C):

A++... E.

Always use the light source recommended or equivalent.

Input voltage: 100, 120, 230 Vac.

(50 Hz / 60 Hz ) According to destination.



---

**APPROXIMATE** (without package)

8 Kg / 17.3 lb

---

**REGULATIONS**

CE



IP 20

UNE-EN 60598

UNE-EN 55015

UNE-EN 60529



Non-class 2

Dry location only

UL-1598

E-353545

---

**MAINTENANCE**

Clean with a smooth cloth. Do not use ammonia, solvents or abrasive cleaning products.

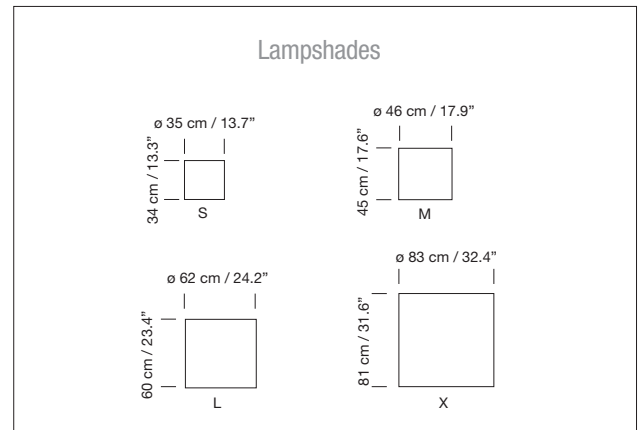
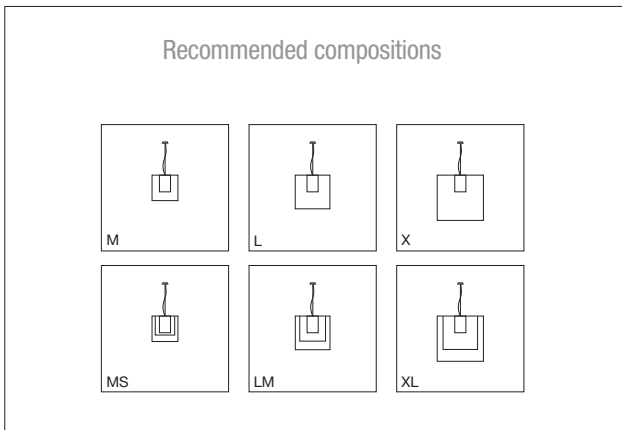
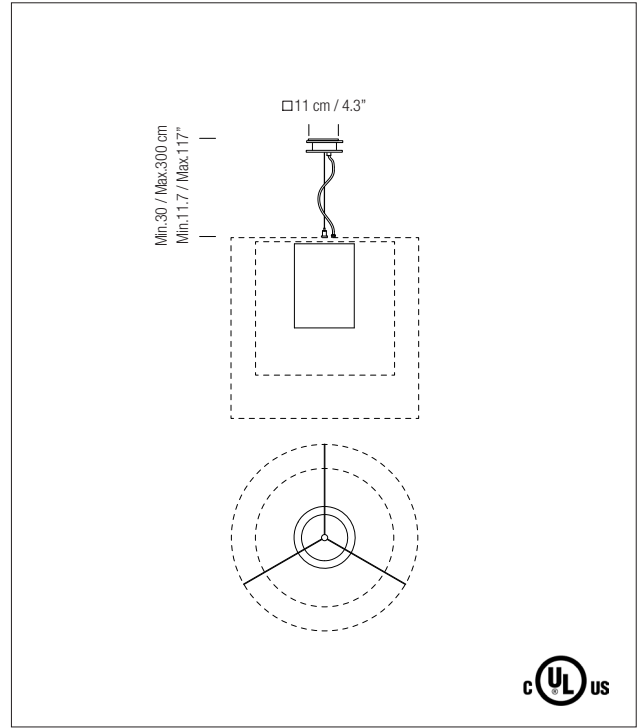
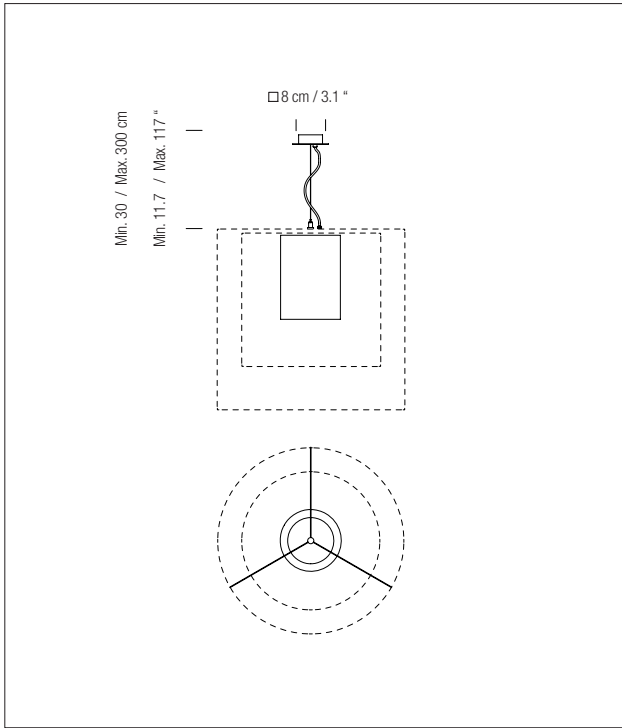
---

**OTHERS**

The lamp is delivered in different packages.

The assembly instructions are delivered with the product.

MODELS



Colecion

Floor lamps



Moaré