

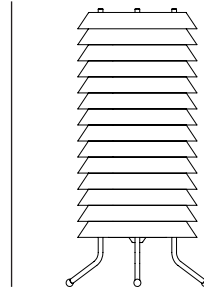


SANTA & COLE

Maija

Ilmari Tapiovaara 1955

Floor Lamp



The warm, filtered light housed within the Maija series now with LED technology, in the new floor lamp version based on the original 1955 design. In the language of Finnish functionalism, the Maija series conveyed the feeling of Baltic light from the inside outwards, with a graceful, durable structure reminiscent of the childish honeycomb of naughty honey bee Maya, the heroine of stories and cartoons that originally inspired its name. Maija was a very popular lamp from the start. It was the only one made by this first major Finnish industrial non-architect designer after Alvar Aalto, and who is now recognised as a maestro of generations. An opaque body with a brass structure fragmented into superimposed plates, filters and directs its happy inner light. The full series of the famous Finnish classic comprises floor, table top and hanging versions.

GENERAL DESCRIPTION

Metallic lampshade finished in matte white.

Brass legs finished in matte.

Diffuser in white translucent engineering plastic.

LIGHT SOURCE

Module of 96 LEDs

Power system: 24 W

Operating voltage: 24 VDC

T^a Colour : 2.700 K

Typical CRI: 90

Lifetime: 40.000 h

Built-in adjustable LED.

Dimmer included.

Energy efficiency class (E.E.C):

A++ ... A.

Suitable only for indoor use.

Always use the light source recommended or equivalent.

Input voltage : 90 ~ 264 Vac.

(50 Hz / 60 Hz). According to destination.

APPROXIMATE WEIGHT (without packaging)

5,1 kg / 11.3 lb



SANTA & COLE

REGULATIONS

CE



IP 20

UNE-EN 60598

UNE-EN 55015

UNE-EN 60529

UNE-EN 62031

UNE-EN 61000-3-2

UNE-EN 61347-2-13



Class 2

Dry location only

UL-153

UL-8750

E-363621

MAINTENANCE

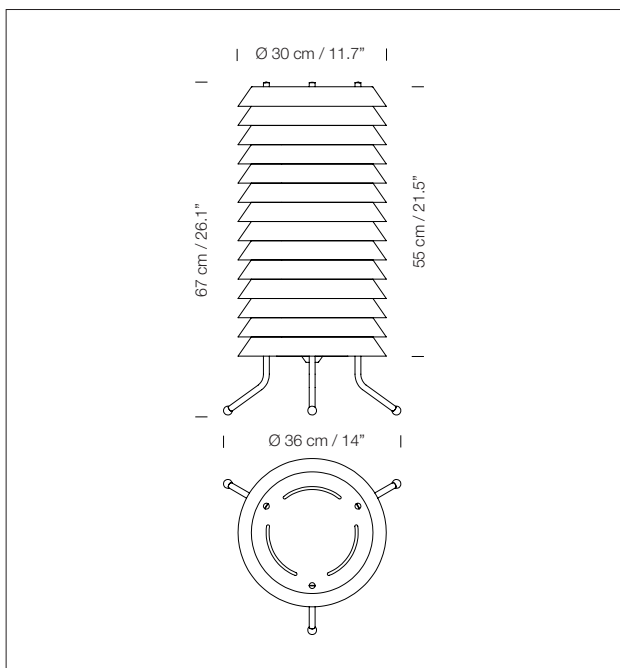
Clean with a smooth cloth. Do not use ammonia, solvents or abrasive cleaning products.

OTHERS

The lamp are delivered in one package.

The assembly instructions are delivered with the product.

MODEL



PRODUCT COLLECTION

Table lamps



Maija 15
NEW PRODUCT 2015

Hanging lamps



Maija 15 / Maija 30
NEW PRODUCT 2015