

# Macaya

Wall Mounted Luminaire

1986

## ELEMENT:

Enormously versatile flat, embeddable disc for all types of outdoor situations: as a position light (urban) or illumination (translucent). Fitting available in two diameters: 22cm and 34cm.

## TOTAL WEIGHT

Ø22 Wall mounted luminaire

2 kg.

Ø34 Wall mounted luminaire

3,5 kg.

## DOME

The dome lodges the electrical equipment: 5 LEDs of 1W for the large appliqué and 4 LEDs of 1W for the medium one. It is made of cast aluminium of the A-S13 type (according to the AFNOR standard), or of the L-2520 type (according to the UNE standard) with a surface protection process based on Structural Oxidation.

## A-S13 OR L-2520 ALUMINIUM CHEMICAL COMPOSITION

Silicon (Si)	12,5 - 13,0 %
Iron (Fe)	0,40 - 0,60 %
Copper (Cu)	≤0,10 %
Manganese (Mn)	0,15-0,30 %
Magnesium (Mg)	≤0,05 %
Nickel (Ni)	≤0,05 %
Zinc (Zn)	≤0,05 %
Chromium (Cr)	≤0,05 %
Titanium (Ti)	≤0,15 %
Lead (Pb)	≤0,05 %
Tin (Sn)	≤0,05 %

## A-S13 OR L-2520 ALUMINIUM MECHANICAL CHARACTERISTICS

Density	2,7 kg/dm <sup>3</sup>
Breaking strength	170 N/mm <sup>2</sup>
Stress limit	80 N/mm <sup>2</sup>

## SURFACE FINISHING

The aluminium protection is carried out by means of a Structural Oxidation process. This process maintains the clean look of the aluminium base.

Its resistance to corrosion lasts over 500 hours in a saline cloud chamber (according to the ISO B-117 standard).

## COVER

This is made with the same material as the dome. It is buffed with an antioxidant protective treatment.

## DIFFUSER

The diffuser for the urban and translucent versions is made of polycarbonate (PC).

## SECURING

The dome is embedded in the support facing. The cover is attached to the dome in all versions.

The element is supplied, unassembled, in two parts: the embeddable dome and the cover of choice.

The wall mounted luminaire is delivered with nuts and bolts, and assembly instructions.



# Macaya

Wall Mounted Luminaire

1986

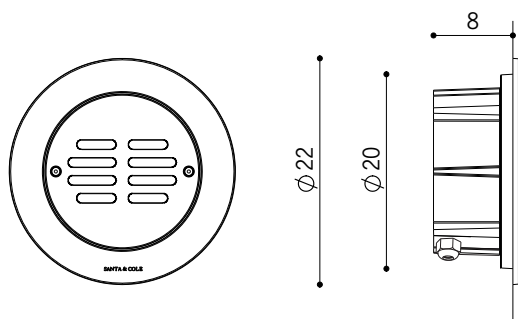
## LIGHTING MODULES

Designed with LED SMD which emit high-efficiency light, the LEDs consist of a semiconductor that directly converts the electric current (220V) into light. Such direct conversion results in very high luminosity and low heat generation.

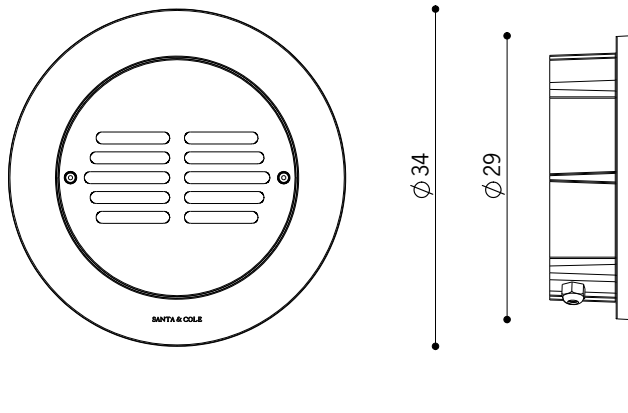
Other characteristics include high colour results, long life, zero maintenance, high resistance to knocks and vibrations, no IR/UV radiation (does not attract insects) and low electrical consumption.

	MAA11 / MAA12	MAA21 / MAA22
LED used	Power top led 120°	Power top led 120°
LEDs per module	29	53
Colour	White 6500°K	White 6500°K
Total light flow	68 lm	125 lm
Total electric flow	3,5W	6W

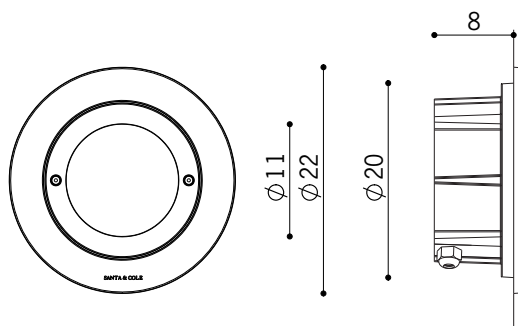
MAA11



MAA21



MAA12



MAA22

