

Sizes in cm



Code: LTF15 / LTF35

Materials: 7m high shaft made of Corten steel with square section base and forked upper section. Option to deliver in galvanised and painted steel.

Rectangular tube support made of galvanised steel for five floodlights. Hot-dip galvanised steel round tube brace. Stainless steel connecting parts.

Finishes: Corten steel, galvanised steel, stainless steel.
(Other colours available on request).

Weight (kg): 895

Distance between bolts (mm): 480 / 240

Bolts (included): (6x) M27 x 1000

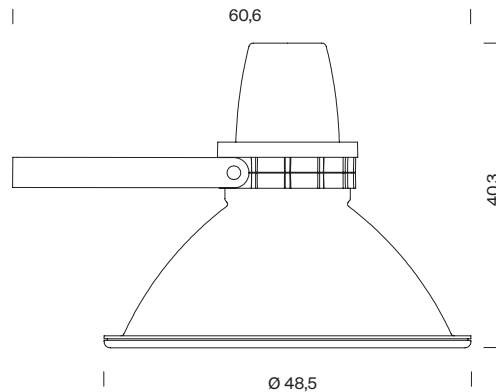
Application: Pole installation of directed lighting system. The rectangular tube supports up to five adjustable floodlights that can also be used individually.

The product is delivered in two parts: structure and light sources.

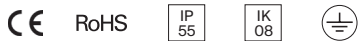
(For further information please visit www.santacole.com)

Applicable standards: UNE-EN 40, EN ISO 1461, EN ISO 10025, EN ISO 4626, regulation 305/2011/EU

For calculation in ground type II (according to UNE-40) and wind speed of 29 m/s, with soil formed by loose or wet dirt or sand of medium compactness ($E_0 = 4800 \text{ KN/m}^2$), with HM-20 concrete. Non-binding information. We advise to carry out checks for each situation.



Cotas en cm



Materials: Floodlight made of injected aluminium with powder paint finish. Reflector made of turned aluminium with anodised finish. Tempered optical glass cover and sponge silicone seals. E40 cap with reinforced porcelain insulation. Stainless steel safety clips. Galvanised steel bracket with powder paint finish.

Colours: Light grey (RAL 7035)

Dimensions (cm): Ø 48,5 x 40

Weight (kg): 7

Surface exposed to wind (m²): 0,18

Application: Semi-extensive optical floodlight with built-in auxiliary fittings. Two-level equipment can also be provided.

Applicable standards: UNE-EN 60529, UNE-EN 60598, UNE-EN 55015, UNE-EN 50102

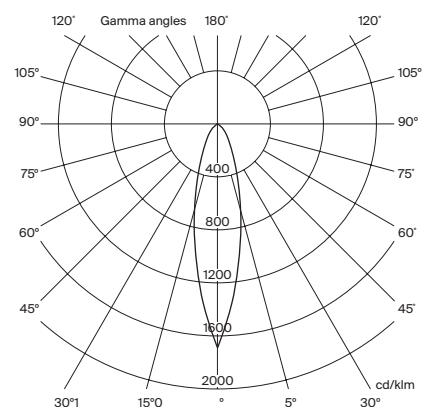
Light source: High Pressure Sodium, (ST) Ceramic Metal Halide (MT) (E40)

Lamp power (W): 100 / 150 / 250

Light flow emitted to upper hemisphere (%): 0

Symmetric Max. intensity. 1690.00 cd/klm
LOR 59,56%
ULOR 0.00%

C Halfplanes
0° ——— 180°
90° - - - - 270°



For calculation in ground type II (according to UNE-40) and wind speed of 29 m/s, with soil formed by loose or wet dirt or sand of medium compactness ($E_0 = 4800 \text{ KN/m}^2$), with HM-20 concrete. Non-binding information. We advise to carry out checks for each situation.