

LATINA

Street Lamp

1998

GENERAL DESCRIPTION

This 15m high street lamp is made of three components: a column, a support for spotlights and a brace.
 The 7m high column is in Cor-Ten steel and is made of two sections: the squared base and the forked section.
 The lamp support, with a rectangular section, is a hot-galvanized steel tube.

WEIGHT 895Kg.

PROJECTORS

It supports five rounded spotlights equipped for high pressure sodium vapour discharge lamps or metallic halide lamps (max. 250 W).

TECHNICAL CHARACTERISTICS

Lamps	5 x Max. 250W HIE-CE/m
	5 x Max. 250W HSE
Lampholder	E27 / E40
Connected load	230V / 50Hz
Luminaire efficiency	67.46%
FHS rated installed	0%

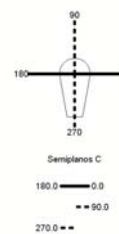
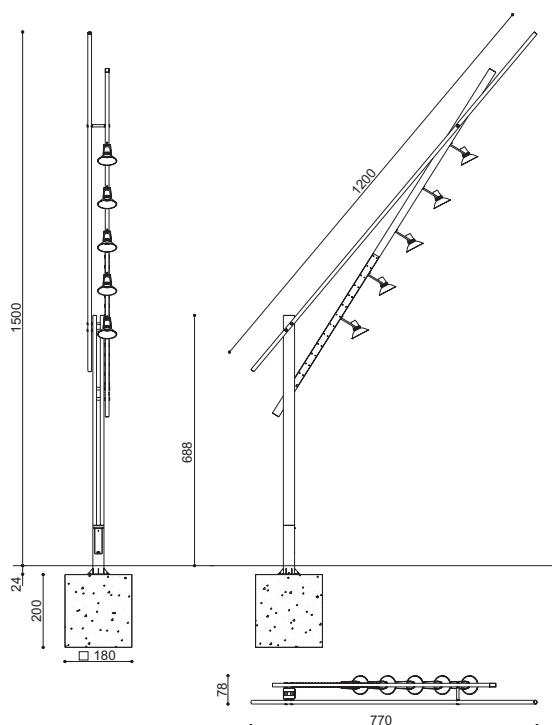
FIXING

The column is fixed using a concrete cube made on site and anchor bolts, 24cm below the ground.
 The foundations should provide a slot for the electrical connection.

The street lamp is delivered disassembled in four components: the column, the spotlight support, the brace and the spotlights. Assembly instructions are included with the street lamp.

Anchorage bolts and pattern come with the column.

Normal part replacement and maintenance.



Máximo 437.78 cd/km
 Posición C=270.00 G=0.00
 Rendimiento η = 67.46%
 Tasa FHS = 0.00%

