

HeadHat

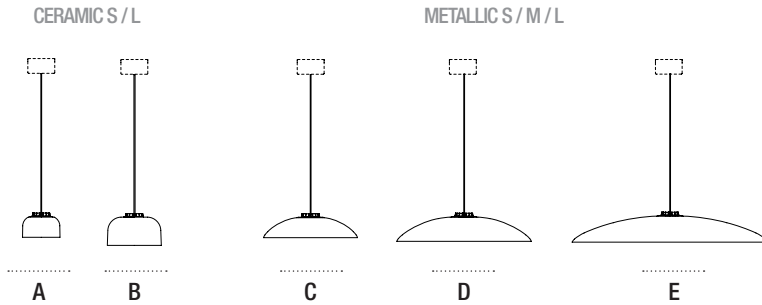
Ceramic / Metallic
 Santa & Cole Team, 2013
 Hanging lamps



reddot design award
 winner 2013



GOLD
 ADI FAD 2013



A flexible set of hanging lamps with shades (Hats) of differing sizes and materials that give multiple uses to an ingenious light capsule (Head), forming a simple system with a minimalist and flexible design that gives great warmth to LED lighting. Its interchangeable, modular components and technology make this a product with a long life cycle and easy to recycle. HeadHat fosters good heat dissipation, a lighting experience without glare and is straightforward for users to set up.

GENERAL DESCRIPTION

Capsule with LED module, translucent white diffuser and dissipater with black matte finish.

5 lampshades options:

(A / B) White ceramic with matte finish interior and gloss exterior.

2 sizes: S or L.

(C / D / E) White metallic shade with matte finish. Includes coupling washer in white engineering plastic. 3 sizes: S, M or L.

3 metallic circular ceiling plate options with a smooth matte finish and equipment incorporated: white recessed (CE market) / white or black surface-mounted.

Black electric cable length: 3 m / 117" or 8 m / 314.9".

LIGHT SOURCE

Strip of 4 LEDs
 Power system: 5 W
 Operating current: 350 mA
 T^a Colour: 2.700 K
 Typical CRI: 85
 Lifetime: 40.000 h
 Luminous flux: 285 lm

Built-in LED.
 Energy efficiency class (E.E.C): A+... A.
 Lamp suitable only for indoor use.
 Always use this light source.

Input voltage: 108 ~ 264 VAC
 (50 Hz / 60 Hz) According to destination.



APPROXIMATE WEIGHT (unpacked)

Built-in or surface rosette. : 0,7 kg / 1.5 lb

LED capsule with cable length of 3m o 8m: 0,4 kg / 0.8 lb

Lampshades

(A) Ceramic S: 0,3 kg / 0.6 lb

(B) Ceramic L: 0,5 kg / 1.1 lb

(C) Metallic S: 0,4 kg / 0.8 lb

(D) Metallic M: 0,8 kg / 1.7 lb

(E) Metallic L: 2 kg / 4.4 lb

REGULATIONS

CE



IP 20

UNE-EN 60598

UNE-EN 55015

UNE-EN 62031

UNE-EN 60529

UNE-EN 61000-3-2

UNE-EN 61347-2-13



Class 2

Dry location only

UL-1598

UL-8750

E-336377

MAINTENANCE

Clean with a smooth cloth. It is advised not to use any ammonia, solvent or abrasive products.

OTHERS

The lamp are delivered in different packets.

The assembly instructions are delivered with the product.

MODELS

