

## Havana Bench

Massana, Tremeleda. 1990



**Code:** HVB / HVM

**Materials:** Steel profile structures with anti-rust protection and painted grey.  
Seat and continuous back made of oak veneer plywood.

The table top is made of compact laminate. The screws for the profiles and seat are stainless steel and come with the structure.

**Structure:**

Steel. Painted RAL 9007

Oak plywood wood

**Weight:**

Bench: 23 kg.

Table: 6 kg.

**Installation:** This is a bench designed for open spaces, both indoor and outdoor, when sheltered from rain and damp.

It is installed simply by placing it on the floor on neoprene pads. Unless otherwise specified the benches are delivered unassembled and packaged in two boxes-one for the seat and another for the structures and screws.

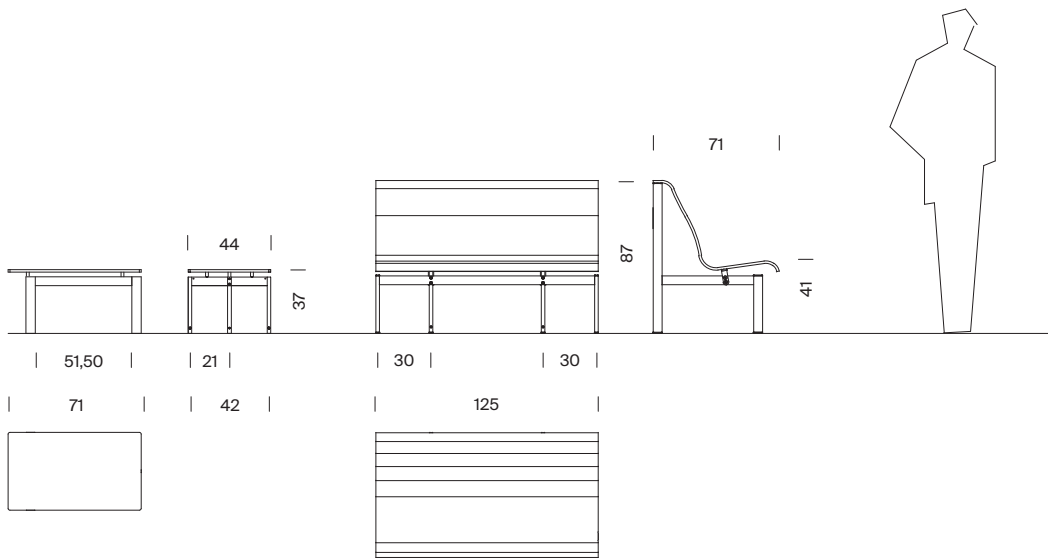
The benches are delivered with assembly instructions.

**Maintenance:** No maintenance required.

(For further information about this product, log onto the website [www.santacole.com](http://www.santacole.com))

**Applicable standards:** UNE EN 12727, UNE EN 581, UNE 41510, UNE EN 335

**Havana  
Bench**  
Massana, Tremoleda. 1990



Dimensions in cm