

## Harpo aluminum Bench

Gonzalo Milá, Miguel Milá. 2014

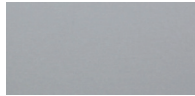
urbidermis  
SANTA & COLE



### Materials:

Bent and welded steel plate structure with anti-rust protection painted.  
Seat and backrest made of 90 x 30 mm extruded aluminium with anodised finish.

### Finishes:



Light grey

Black

Anodised

\*The colors shown are merely indicative and may differ from reality. (Other colors available to order)

\*\*See special finishes for marine environments

### Weights (kg):

Chair 0,60 m: 25.

Bench 1,75 m: 37.

Bench 3,00 m: 58.

Banquette 0,60 m: 16.

Banquette 1,75 m: 27.

Banquette 3,00 m: 45.

### Installation and maintenance:

Attached to the ground by two anti-rust treated steel bolts for each leg which are placed in holes drilled into the road surface and filled with epoxy resin, quick-setting cement or similar.

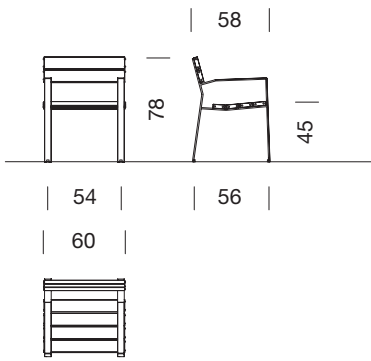
The bench is delivered packaged and assembled.

Assembly nstructions, screws and anchor bolts included.

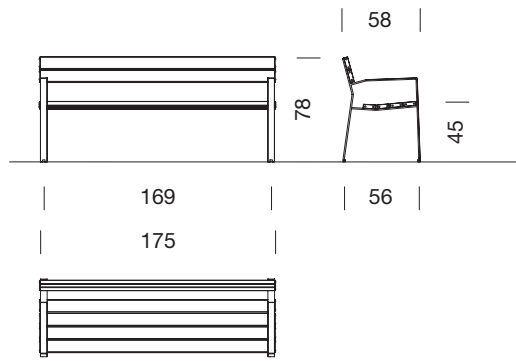
No maintenance is required.

(For further information log onto [urbidermis.com](http://urbidermis.com))

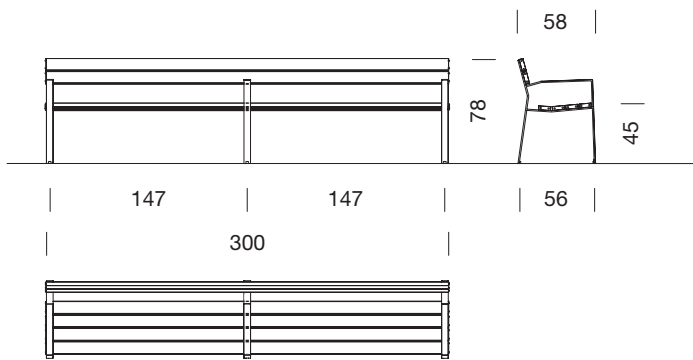
**Applicable standards:** UNE EN 12727, UNE EN 581, UNE 41510



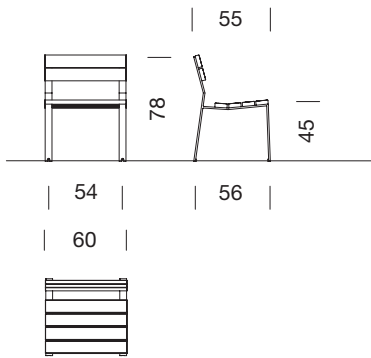
Harpo aluminum chair 0,60 m



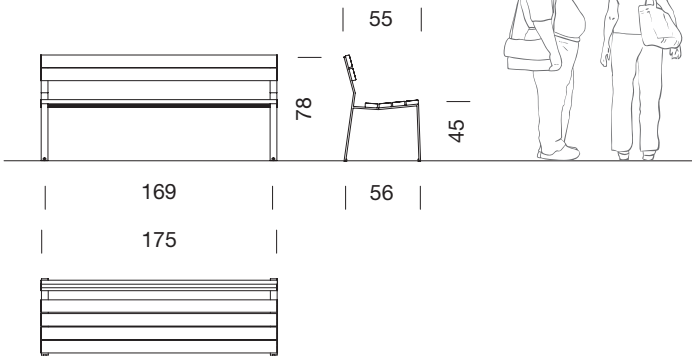
Harpo aluminum bench 1,75 m



Harpo aluminum bench 3,00 m

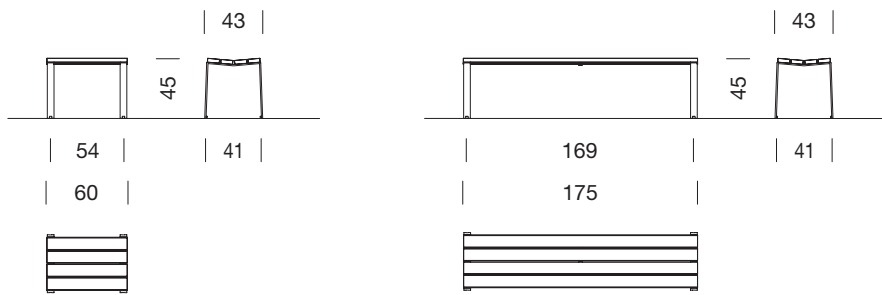


Harpo aluminum chair 0,60 m



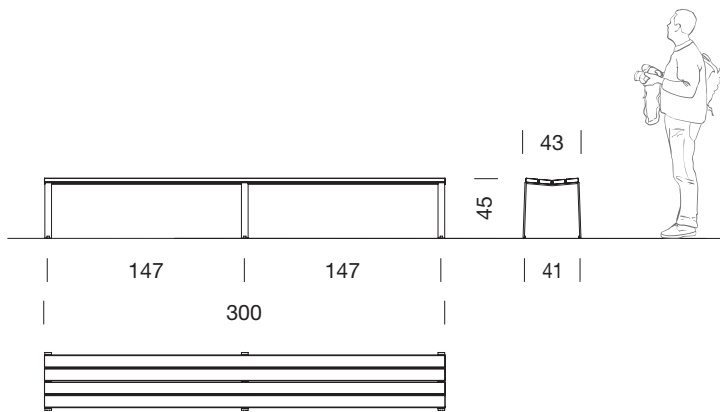
Harpo aluminum bench 1,75 m

Sizes in cm



Harpo aluminum banquette 0,60 m

Harpo aluminum banquette 1,75 m



Harpo aluminum banquette 3,00 m

Sizes in cm