

THE NJAR STREET LAMP

LUMINAIRE

This luminaire four outdoor lighting is designed for the installation of two type 36 W TC-FEL compact fluorescent lamps and includes the electronic power supply equipment.

BODY

The body consists of:

- A rectangular structure made from square stainless steel tube with a cross-section of 30x30x1.5mm. It secures the rest of the luminaire and allows the unit to be attached to a column or a wall. The power supply wiring passes through the upper side, with a small inspection cover allowing it to reach the screen.
- Side panels made from 1 mm thick stainless steel sheet. They are welded to the rectangular structure and support the screen.
- The screen is made from 1 mm thick stainless steel cut into a diamond shaped and folded to create the two opaque faces of the tetrahedron. It is welded to the side panels. Inside, there are two rails attached to secure the lampholder mounting sheet, and the equipment fixing housings.

The unit has a sandblasted finish.

COVER

The cover consists of a 1 mm thick stainless steel triangular profile with a sandblasted finish. A watertight gasket is fitted to one of the sides, along with one of the diffuser sheets that make up one of the faces of the tetrahedron. It is attached to the body by a hinge system that allows it to be opened for maintenance of the luminaire. It closes over the screen by means of stainless steel screws

DIFFUSERS

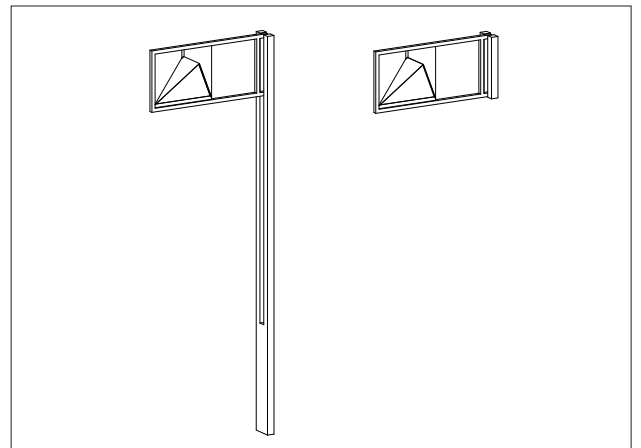
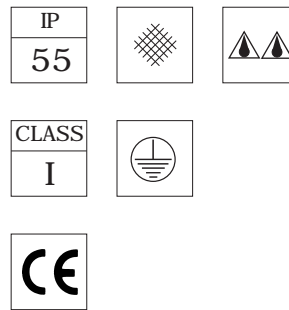
Opal white triangular methacrylate sheets that make up the two translucent faces of the tetrahedron. One of the sheets is fixed to the screen and the other to the cover.

Lamps	2 x TC-FEL 32W
Lampholder	2G10
Voltage	AC/DC 220-240V
Frequency	50-60Hz
System input	2x43W

COLUMN

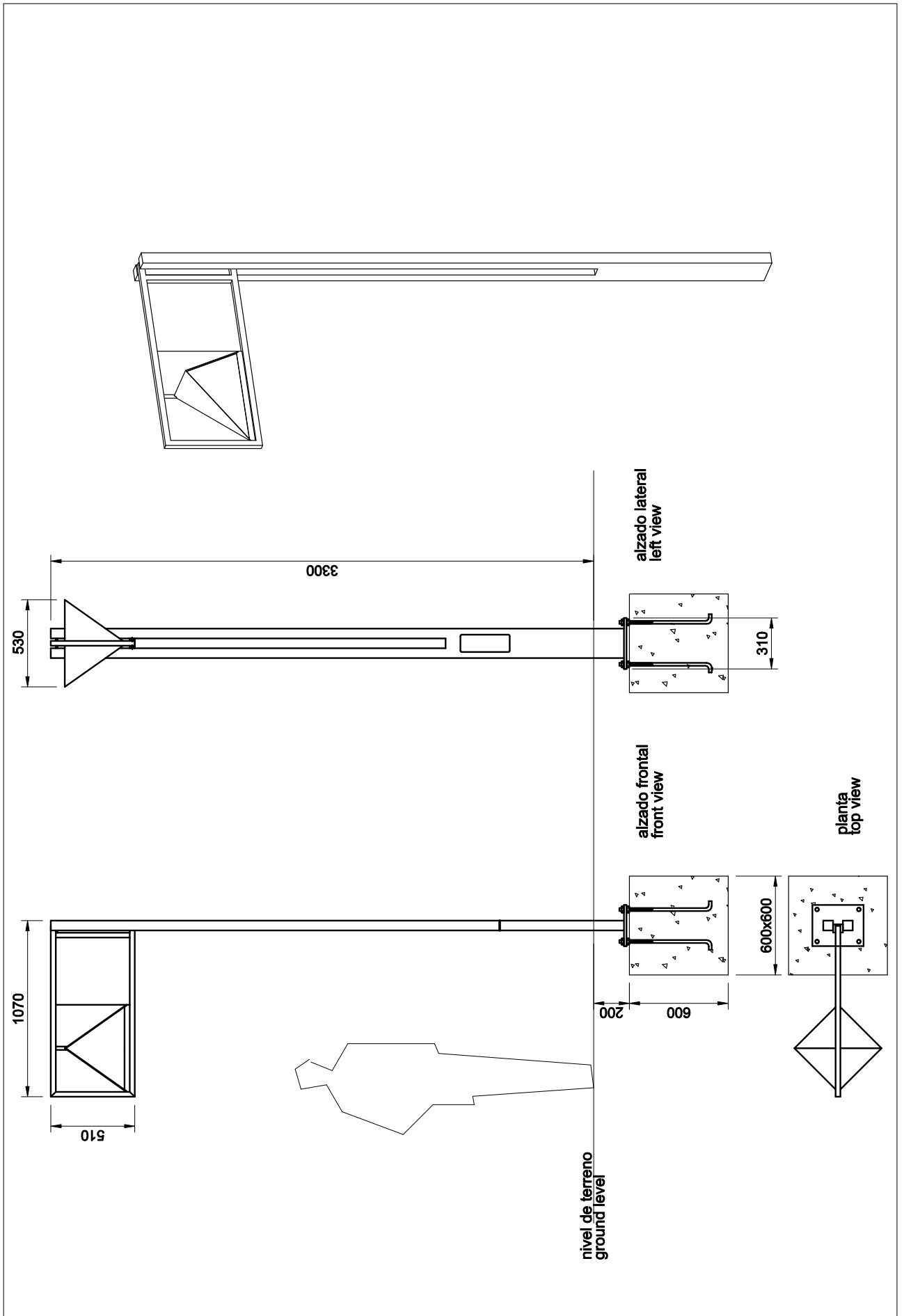
The 3.3m column is made from hot galvanised steel. It consists of a rectangular base and a forked support. It may be used with one or two luminaires.

The column is anchored on site by means of a reinforced concrete cube and anchor bolts. The foundations must not obstruct the electrical connection aperture



THE NIJAR STREET LAMP

Column



THE NJAR STREET LAMP

Wall-mounted

