



SANTA & COLE

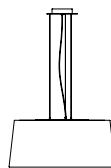
GT1000 / GT1500

Santa & Cole Team, 2013 - 2011

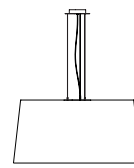
Hanging lamps

GT1000 LED / GT1000

GT1500 LED / GT1500



A / B



C / D



Devised for large projects that require good lighting. The shade houses a light disc.

GENERAL DESCRIPTION

Engineering plastic circular white opal electric structure.
Natural, red-amber or black ribbon lampshade and terracotta, mustard or green Raw Color ribbon.
Black metallic circular ceiling plate.

(A / B) Lampshade: upper Ø 90 cm / 35.4" x lower Ø 100 cm / 39.3" x h. 44 cm / 17.3".

Lower disk in white translucent technical of polymer:
Ø 83 cm. / 32.7".

Electric cable length: 8 m / 314.9"

(C / D) Lampshade: upper Ø 133 cm / 7.5" x lower Ø 150 cm / 59.1" x h. 74 cm / 29,1".

Lower disk in white translucent technical of polymer:
Ø 125 cm / 49.2".

Electric cable length: 8 m / 314.9"

LIGHT SOURCE

(A / C)

Module of LEDs
Power system: 40 W
Operating current: 1.050 mA
T^a Colour : 3.000 K
Typical CRI: 80
Lifetime: 40.000 h

(B / D)

2 x Fluorescent.
T5-R. Circular: 55 W

(A / C)

Built-in LED.
Lamp suitable for dimming systems
1-10V.
Not included external dimmer switch
1-10V.
Energy efficiency class (E.E.C): A⁺⁺... A.
Lamp suitable only for indoor use.

(B / D)

Light source included. Type E.E.I: A
Not adjustable. (adjustable option on
request: 1-10V o DALI)
Energy efficiency class (E.E.C): A.
Lamp suitable only for indoor use.
Always use the light source recom-
mended or equivalent.

(A / C) Input voltage: 120 ~ 277 VAC
(50 Hz / 60 Hz) According to destination.

(B / D) Input voltage: 90 ~ 305 VAC
(50 Hz / 60 Hz) According to destination.

APPROXIMATE WEIGHT (unpacked)

(A / B) GT1000: 12 Kg / 26.5 lb

(C / D) GT1500: 17 Kg / 37.5 lb

REGULATIONS

(A / C)

CE



IP 40

UNE-EN 60598

UNE-EN 55015

UNE-EN 62031

UNE-EN 61000-3-2

UNE 60529

UNE-EN 61347-3-13



Class 2

Dry location only

UL-1598

UL - 8750

E-336377

(B / D)

CE



IP 40

UNE-EN 60598

UNE-EN 55015

UNE-EN 60529



Non-class 2

Dry location only

UL-1598

E-353545

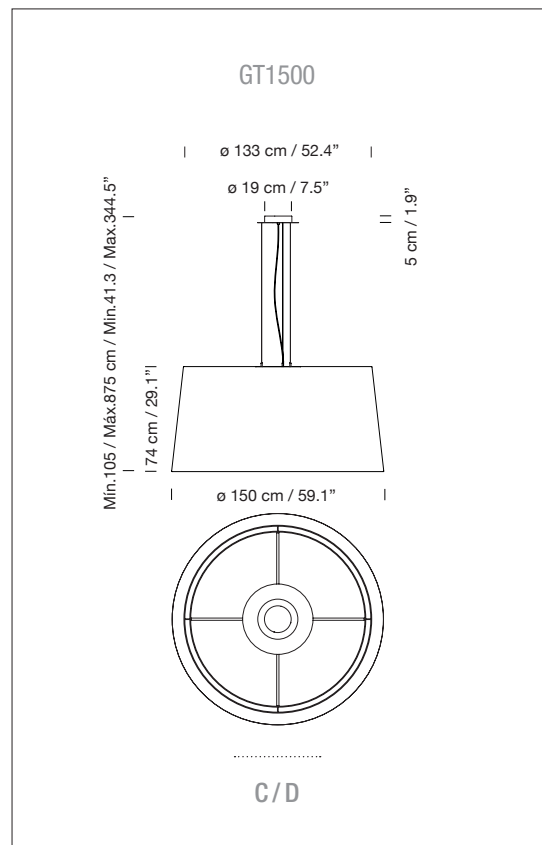
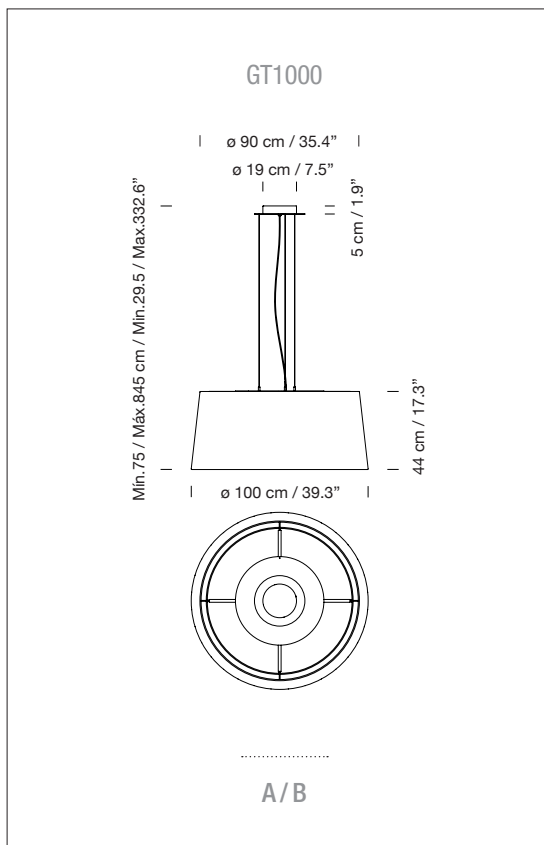
MAINTENANCE

Clean with a smooth cloth. It is advised not to use any ammonia, solvent or abrasive products.

OTHERS

The lamp are delivered in different packets.
The assembly instructions are delivered with the product.

MODELS



Collection

Table lamps



Tripode G6 / Tripode M3

Floor lamps



Tripode G5

Hanging lamps



GT 7

Lampshades



GT 5



GT 6



Raw Color Ribbon
