

GT1000 / GT1500

Hanging fixture

2011 (GT1500) and 2013 (GT1000)

GENERAL DESCRIPTION:

Especially designed for projects in big spaces needing good lighting. The shade houses a disk of light with a double circular fluorescent.

APPROXIMATE WEIGHT (unpacked):

1. GT1000	12 kg / 26.5 lb
2. GT1500	17 kg / 37.5 lb

TECHNICAL CHARACTERISTICS:

Bulb holder:	2GX13
Light source:	2x T5-R. Circular fluorescent T5-R. 55W/830 EEC: B

EUROPE (Voltage)	230Vac	50 Hz
USA (Voltage)	120Vac	60 Hz
CANADA (Voltage)	120Vac	60 Hz

Light source included

(*)Not adjustable.

Fixture only suitable for indoor use.

Always use the light source recommended or equivalent.

STRUCTURE:

Technical circular white opal polymer electric structure.

CEILING ROSETTE:

Black metallic circular ceiling rosette.

LAMPSHADES:

Natural, red-amber or black ribbon lampshade and Terracotta, Mustard or Green Raw Color ribbon.

Lower disk in white translucent technical of polymer. GT1000: Ø 83 cm. / 32.7"

GT1500: Ø 125 cm / 49.2"

MAINTENANCE:

Clean with a smooth cloth. Do not to use ammonia products, solvents, abrasives, etc.

OTHERS:

(*) On demand, adjustable 1-10V or DALI.

The maximum electric wire lenght between the structure and ceiling rosette:

8 m / 315".

The fixture are delivered in different packets.

The assembly instructions are delivered with the product.



GT1500 Red-amber and Natural ribbon lampshade.



Gt1500 and TRIPODE G6 with black ribbon lampshade.

Regulations



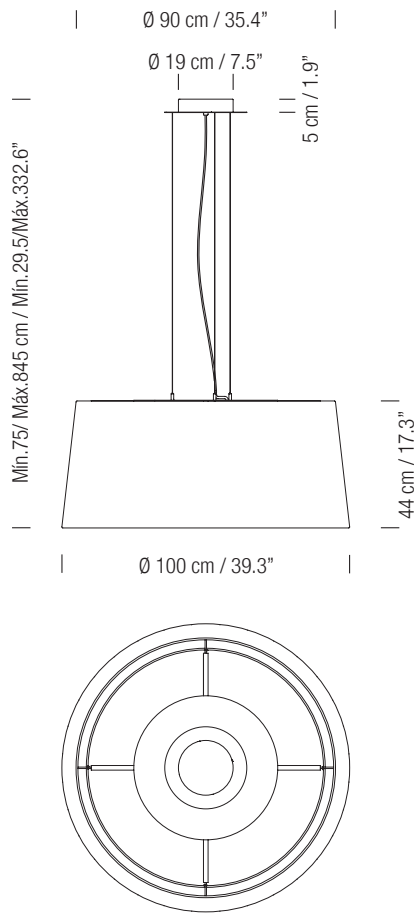
Class I IP 40 UNE-EN 60598 ; UNE-EN 55015 ; UNE-EN 60529.



Class 2 Dry location only UI - 1598. E-352593

GT1000 / GT1500

1. GT1000



2. GT1500

