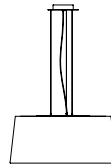


## GT1000 / GT1500

Santa & Cole Team, 2013 - 2011

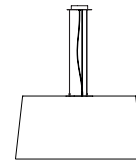
Hanging lamps

GT1000 / GT1000 LED



A / B

GT1500 / GT1500 LED



C / D



Devised for large projects that require good lighting. The shade houses a light disc.

### GENERAL DESCRIPTION

Engineering plastic circular white opal electric structure.  
 Natural, red-amber or black ribbon lampshade and terracotta, mustard or green Raw Color ribbon.  
 Black metallic circular ceiling plate.

**(A / B)** Lampshade: upper Ø 90 cm / 35.4" x lower Ø 100 cm / 39.3" x h. 44 cm / 17.3".

Lower disk in white translucent technical of polymer:  
 Ø 83 cm. / 32.7".

Electric cable length: 8 m / 314.9"

**(C / D)** Lampshade: upper Ø 133 cm / 7.5" x lower Ø 150 cm / 59.1" x h. 74 cm / 29,1".

Lower disk in white translucent technical of polymer:  
 Ø 125 cm / 49.2".

Electric cable length: 8 m / 314.9"

### LIGHT SOURCE

**(A / C)**

2 x Fluorescent.  
 T5-R. Circular: 55 W

**(B / D)**

Module of LEDs  
 Power system: 40 W  
 Operating current: 1.050 mA  
 T<sup>a</sup> Colour : 3.000 K  
 Typical CRI: 80  
 Lifetime: 40.000 h

**(A / C)**

Light source included. Type E.E.I: A  
 Not adjustable. (adjustable option on request: 1-10V o DALI)  
 Lamp suitable only for indoor use.  
 Always use the light source recommended or equivalent.

**(B / D)**

Built-in adjustable LED.  
 \*Not included external dimmer switch 1-10V.  
 Energy efficiency class (E.E.C): A\*\*... A.  
 Lamp suitable only for indoor use.

**(A / C)** Input voltage: 90 ~ 305 VAC  
 (50 Hz / 60 Hz) According to destination.

**(B / D)** Input voltage: 120 ~ 277 VAC  
 (50 Hz / 60 Hz) According to destination.

**APPROXIMATE WEIGHT** (unpacked)

(A / B) GT1000: 12 Kg / 26.5 lb

(C / D) GT1500: 17 Kg / 37.5 lb

**REGULATIONS**

(A / C)

CE



IP 40

UNE-EN 60598

UNE-EN 55015

UNE-EN 60529



Non-class 2

Dry location only

UL-1598

E-353545

(B / D)

CE



IP 40

UNE-EN 60598

UNE-EN 55015

UNE-EN 62031

UNE-EN 61000-3-2

UNE 60529

UNE-EN 61347-3-13



Class 2

Dry location only

UL-1598

UL - 8750

E-336377

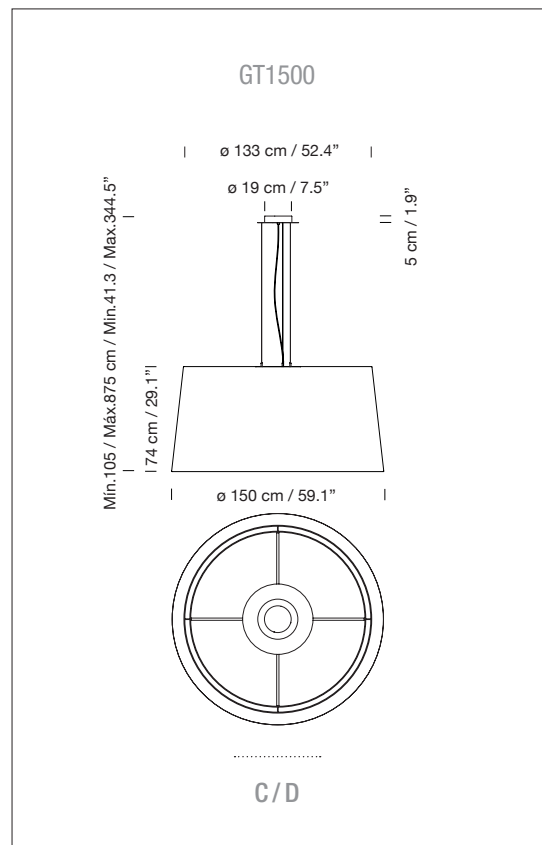
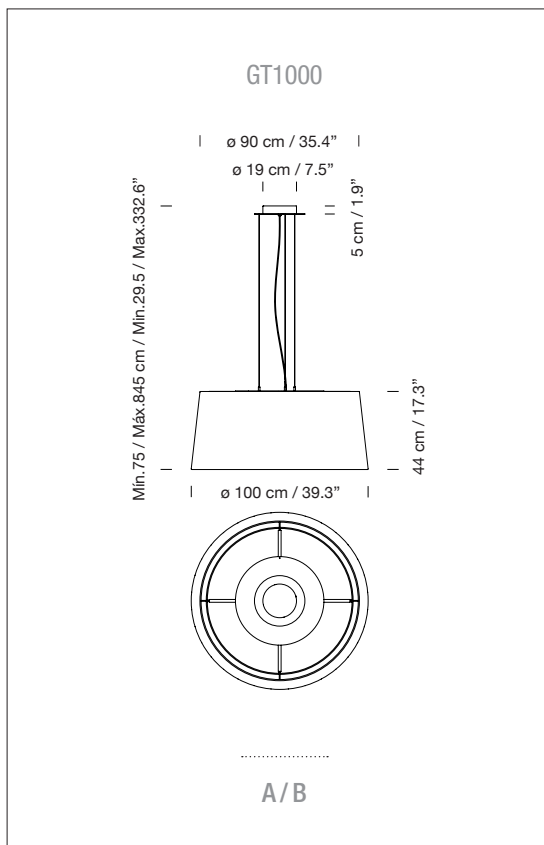
**MAINTENANCE**

Clean with a smooth cloth. It is advised not to use any ammonia, solvent or abrasive products.

**OTHERS**

The lamp are delivered in different packets.  
The assembly instructions are delivered with the product.

**MODELS**



## Collection

### Table lamps



Tripode G6 / Tripode M3

---

### Floor lamps



Tripode G5

---

### Hanging lamps



GT 7

---

### Lampshades



GT 5



GT 6



Raw Color Ribbon

---