

FAD

Table and floor lamp

1973

GENERAL DESCRIPTION:

The FAD was designed for the first offices of Barcelona's Decorative Arts Association. A solid wengue wood structure with a hollowed-out central section serves as a shaft for a white linen shade. The hollow section is closed off by the cross-pieces of the base.

APROXIMATE WEIGHT (unpacked):

- | | |
|-------------------|-------|
| 1. FAD table lamp | 2,7kg |
| 2. FAD floor lamp | 3kg |

TECHNICAL CHARACTERISTICS:

Bulbholder: E26/E27

Light Source:

Adjustable self-ballasted compact fluorescent
TC-HSE. 18-20W/827 EEC: A. Max. hgt. 130 mm

EUROPE AC 230V 50 Hz

USA/JAPAN AC 110/128V 60 Hz

Dimmer included.

Light source not included.

Luminaries only suitable for indoor use.

Always use the light source recommended or equivalent.

The luminaries comply with the following regulations:

UNE-EN 60598

UNE-EN 55015

STRUCTURE:

Sapele wood structure finished in walnut color.

LAMPSHADES:

White linen lampshade.

MAINTENANCE:

Clean with a smooth cloth. Do not to use ammonia products, solvents, abrasives, etc.

OTHERS:

Luminaries are delivered in different packets.

The assembly instructions are delivered with the product.

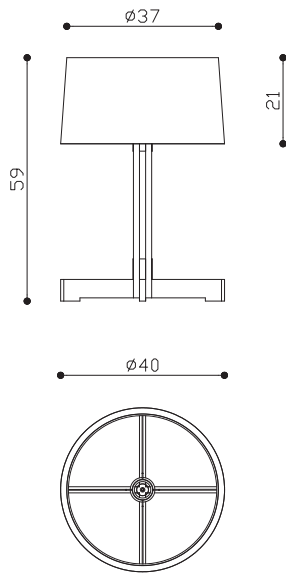
(2.) Height adjustable lampshade.



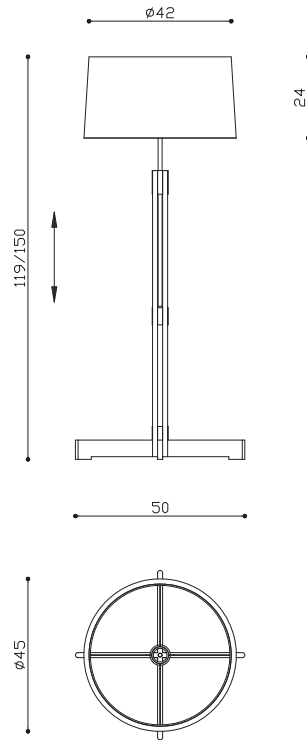
FAD lámpara de sobremesa y pie



FAD



1. FAD table lamp



2. FAD floor lamp