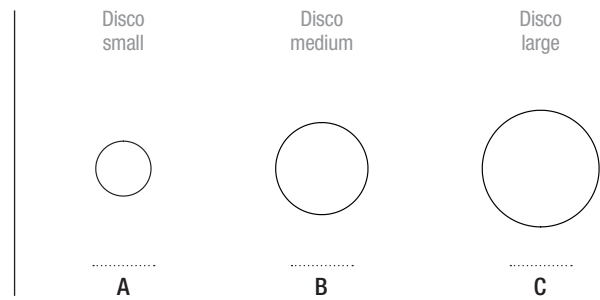


Disco

Jordi Miralbell, Mariona Raventós

1995

Wall lamps



A steel disc hides the light source and diffuses it around the opaque circle. The light is reflected on the wall and creates a halo around the disc, rather like the luminescence of stars during an eclipse.

GENERAL DESCRIPTION

Satin nickel structure and lampshade.
Suitable for Outlet Box (UL market).

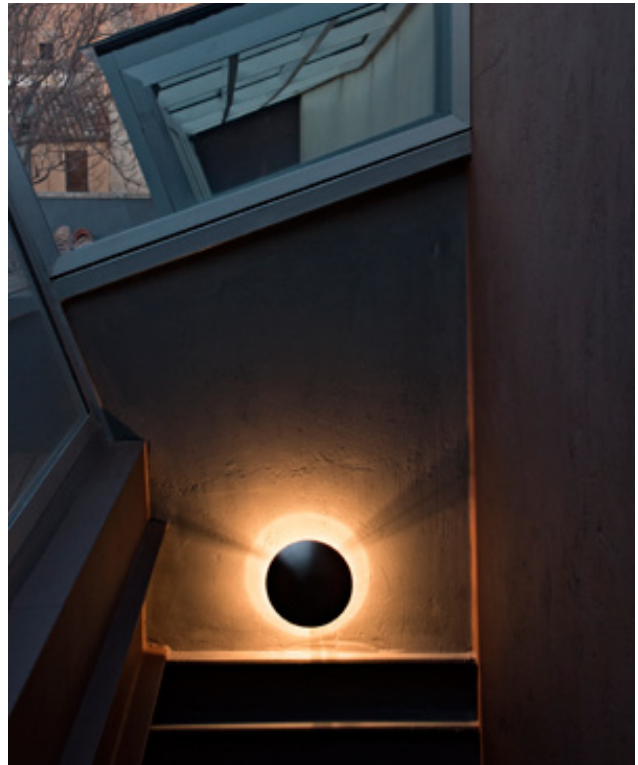
LIGHT SOURCE

(A / B / C)

Halogen: Max. 48 W G9

Light source included.
Compatible with bulbs of the Energy efficiency class (E.E.C): B... E.
Suitables only for indoor use.
Always use the light source recommended or equivalent.

Input voltage 100, 120, 230 Vac.
(50 Hz / 60 Hz). According to destination.



APPROXIMATE WEIGHT (without package)

(A) 0,5 Kg / 1.1 lb

(B) 0,8 Kg / 1.7 lb

(C) 1,1 Kg / 2.4 lb

REGULATIONS

CE



IP 20

UNE-EN 60598

UNE-EN 55015

UNE-EN 60529

Non-class 2

Dry location only

MAINTENANCE

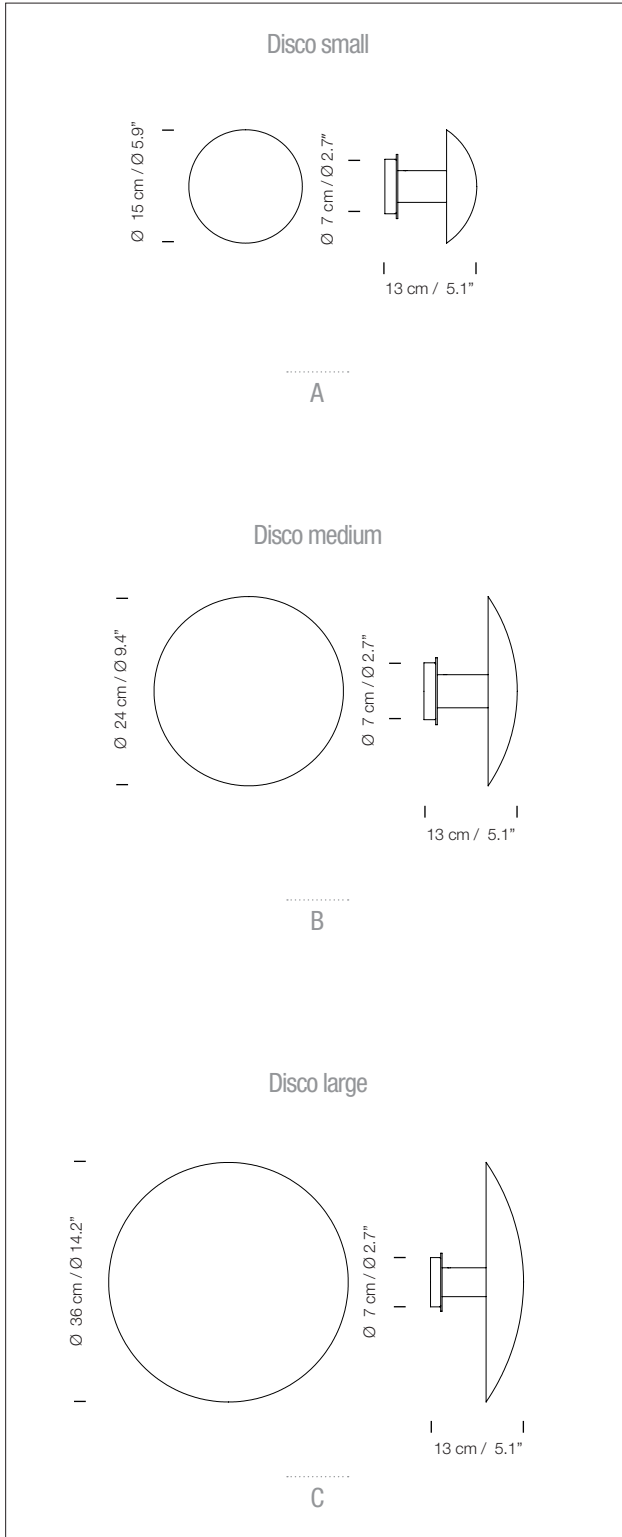
Clean with a smooth cloth. Do not to use ammonia, solvent or abrasive cleaning products.

OTHERS

The lamp are delivered in one package.

The assembly instructions are delivered with the product.

CE MODELS



USA MODELS

