

DIANA

Table and Floor Lamp

1995

GENERAL DESCRIPTION:

The Diana lamp is a combination of functional and compositional sobriety. A central metallic shaft of variable diameter supports a wide circular shade of white linen. The Diana Menor is an alternative for smaller spaces.

APROXIMATE WEIGHT (unpacked):

1. DIANA table lamp	4kg
2. DIANA MENOR table lamp	3,8kg
3. DIANA floor lamp	9,6kg
4. DIANA MAYOR floor lamp	12,5kg

TECHNICAL CHARACTERISTICS:

(1.,3.,4.)

Bulbholder: E27/E26

Light Source:

2 x Adjustable self-ballasted compact fluorescent
TC-HSE. 15-20W/827 EEC: A. Max. hgt. 130 mm

(2.)

Bulbholder: E14/E12

Light Source:

2 x Adjustable candle-shaped compact fluorescent
TCC-SE. 7-8W/827 EEC: A. Max. hgt. 105 mm

EUROPE AC 230V 50 Hz

USA/JAPAN AC 110/128V 60 Hz

Dimmer included.

Light source not included.

Luminaries only suitable for indoor use.

Always use the light source recommended or equivalent.

The luminaries comply with the following regulations:

UNE-EN 60598

UNE-EN 55015

STRUCTURE:

Satin nickel structure.

LAMPSHADES:

White linen lampshade.

(1.,2.,3.) Includes upper disk in translucent white cardboard.

MAINTENANCE:

Clean with a smooth cloth. Do not to use ammonia products, solvents, abrasives, etc.

OTHERS:

Luminaries are delivered in different packets.

The assembly instructions are delivered with the product.

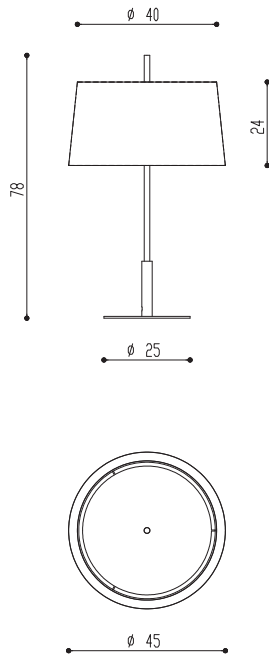


DIANA y DIANA MENOR table lamp

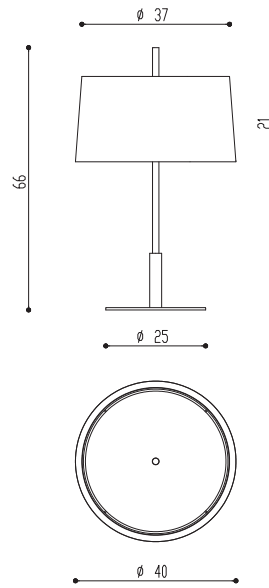


DIANA y DIANA MAYOR floor lamp

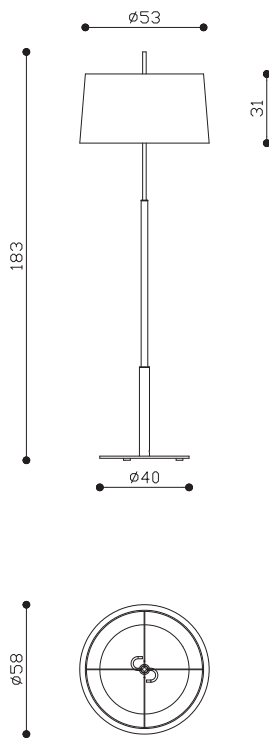




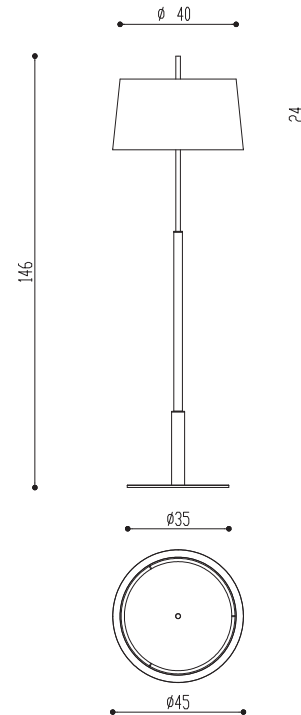
1. DIANA table lamp



2. DIANA MENOR table lamp



3. DIANA floor lamp



4. DIANA MAYOR floor lamp