

DIANA

Table and Floor Lamp

1995

GENERAL DESCRIPTION:

The Diana lamp is a combination of functional and compositional sobriety. A central metallic shaft of variable diameter supports a wide circular shade of white linen. The Diana Menor is an alternative for smaller spaces.

APROXIMATE WEIGHT (unpacked):

(1.)DIANA table lamp	4kg
(2.)DIANA MENOR table lamp	3,8kg
(3.)DIANA floor lamp	9,6kg
(4.)DIANA MAYOR floor lamp	12,5kg

TECHNICAL CHARACTERISTICS:

(1.,3.,4.)

Bulbholder: E27/E26

Light Source:

2 x Adjustable self-ballasted compact fluorescent
TC-HSE.18-20W/827 EEC: A. Max. hgt. 130 mm

(2.)

Bulbholder: E14/E12

Light Source:

2 x Adjustable candle-shaped compact fluorescent
TCC-SE. 7-8W/827 EEC: A. Max. hgt. 105 mm

EUROPE	AC	230V	50 Hz
USA/JAPAN	AC	110/128V	60 Hz

Dimmer included.

Light source not included.

Luminaries only suitable for indoor use.

Always use the light source recommended or equivalent.

The luminaries comply with the following regulations:

UNE-EN 60598

UNE-EN 55015

STRUCTURE:

Satin nickel structure.

LAMPSHADES:

White linen lampshade.

(1.,2.,3.) Includes upper disk in translucent white cardboard.

MAINTENANCE:

Clean with a smooth cloth. Do not to use ammonia products, solvents, abrasives, etc.

OTHERS:

Luminaries are delivered in different packets.

The assembly instructions are delivered with the product.

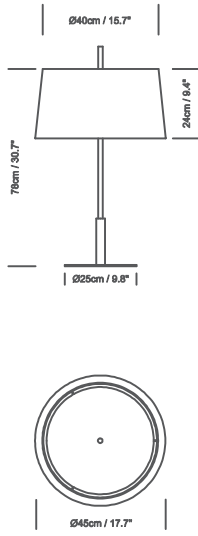


DIANA and DIANA MENOR table lamp

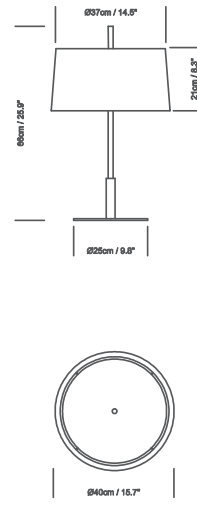


DIANA table lamp and
DIANA MAYOR floor lamp

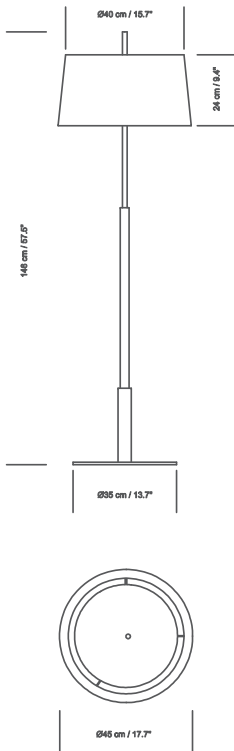




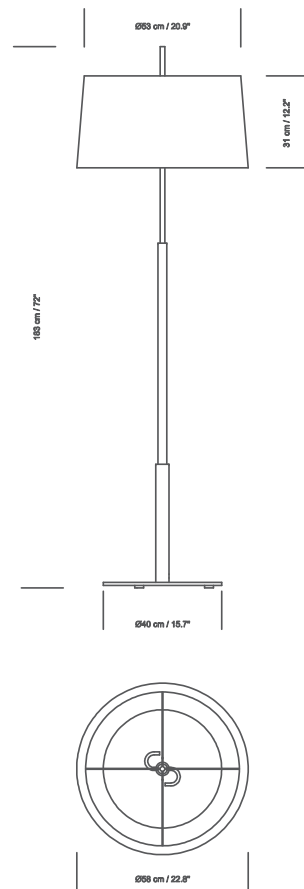
1. DIANA table lamp



2. DIANA MENOR table lamp



3. DIANA floor lamp



4. DIANA MAYOR floor lamp